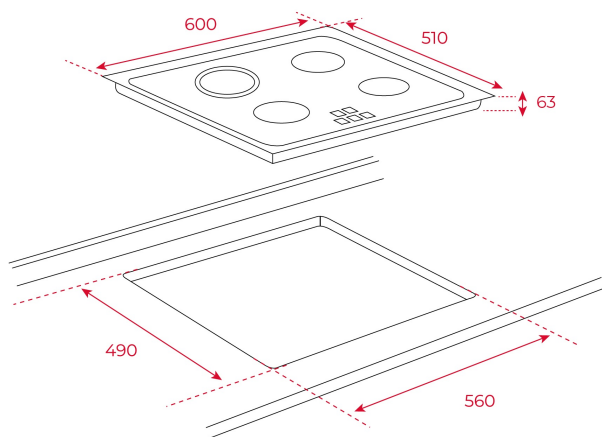


Autolock



Power Plus

Easy
installation

REFERENCE

REF: 40239042

EAN: 8421152148280

FEATURES

Vitreoceramic hob
Touch Control
4 cooking zones
1 high lights Ø 210 mm
1 high lights Ø 180 mm
2 high lights Ø 145 mm
Ceramic glass surface
Auto-lock safety system
Residual heat indicator
Easy installation kit
Maximum nominal power 6300 W

DIMENSIONS

Product height (mm): 63**Product width (mm):** 600**Product depth (mm):** 510**Product length (mm):****Net weight (Kg):** 8,5

TECHNICAL DETAILS

Power rate (V): 220-240

Frequency (Hz): 50/60

Maximum Nominal Power (W): -

COLOURS



40239042 Black