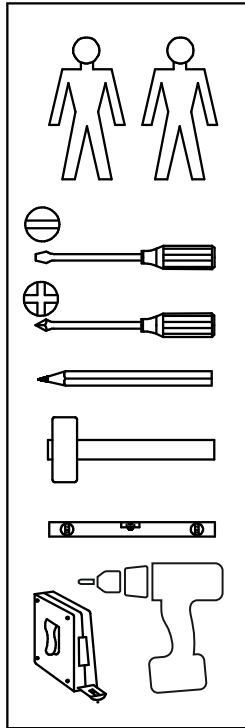


Daria

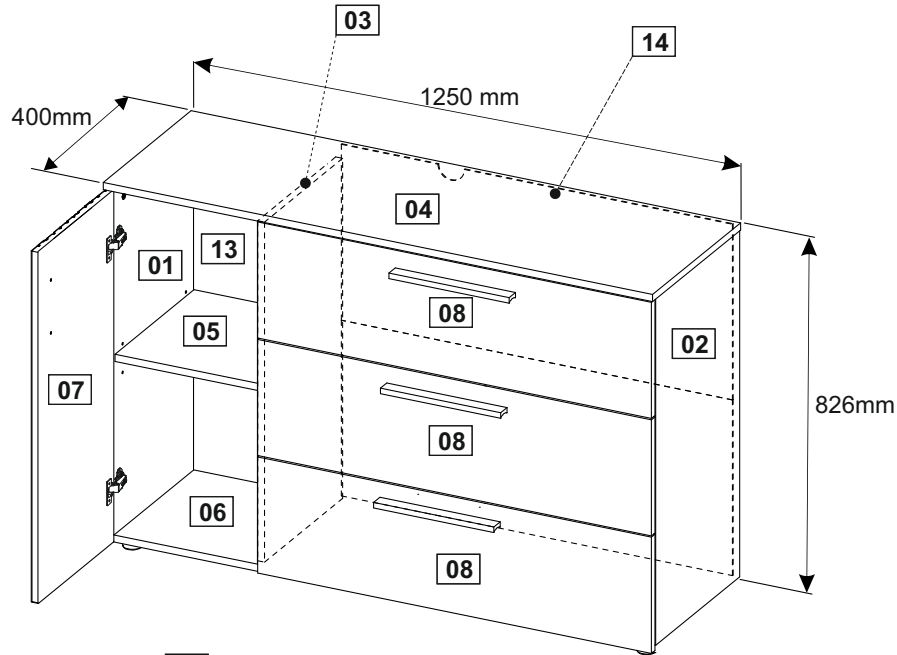
38-468-...



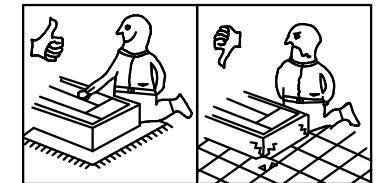
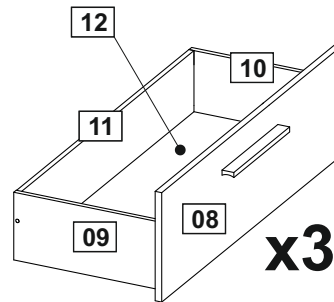
04 max. 20 kg (44 lbs)

05 max. 5 kg (11 lbs)

12 max. 3 kg (6 lbs)



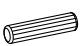



01	7027348	774x382x16	x1	1/1
02	7027347	774x382x16	x1	1/1
03	7027346	774x362x16	x1	1/1
04	7027340	1250x400x16	x1	1/2
05	7027345	325x360x16	x1	1/1
06	7027339	1250x383x16	x1	1/2
07	3020648	786x345x16	x1	1/1
08	7027341/2	896x260x16	x3	1/2
09	3020646	350x160x12	x3	1/1
10	3020647	350x160x12	x3	1/1
11	3020645	835x145x12	x3	1/2
12	7027343	845x357x3	x2	1/2
13	7027344	784x338x3	x1	1/2
14	7027334	784x888x3	x1	1/2



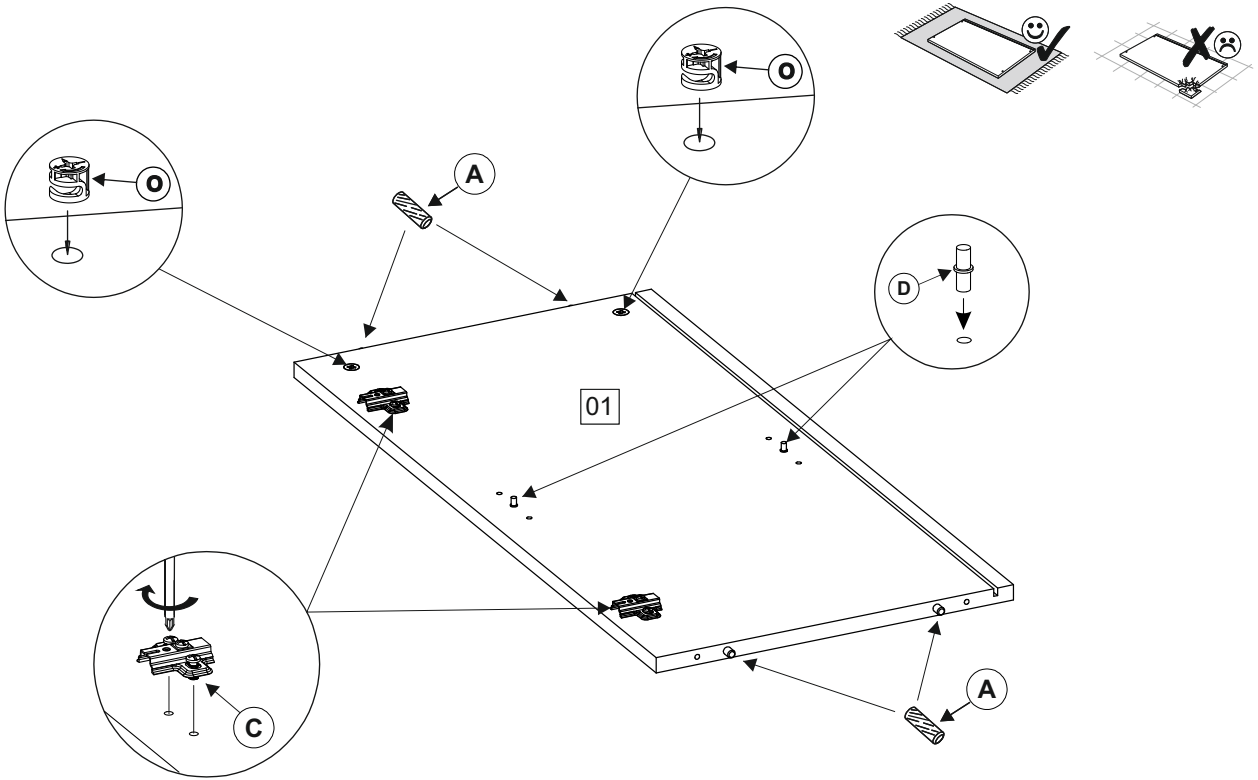
C 1/1




12x 8x35 mm A	2x B	2x C	4x D	12x 7x50 mm E	1x F	5x 3.5x16 mm G	5x H	1x I	4x J
10x K	5x 4x30 mm L	3x M	350	6x N	6x 15x12 mm O	18x P	12x 15x10 mm Q	29x 3x20 mm R	12x 6x30 mm S
24x 6.3x13 mm T	12x U	5x W	8x 4x27 mm X	6x 3.5x13 mm Y	3x 350x20x20 mm Z				

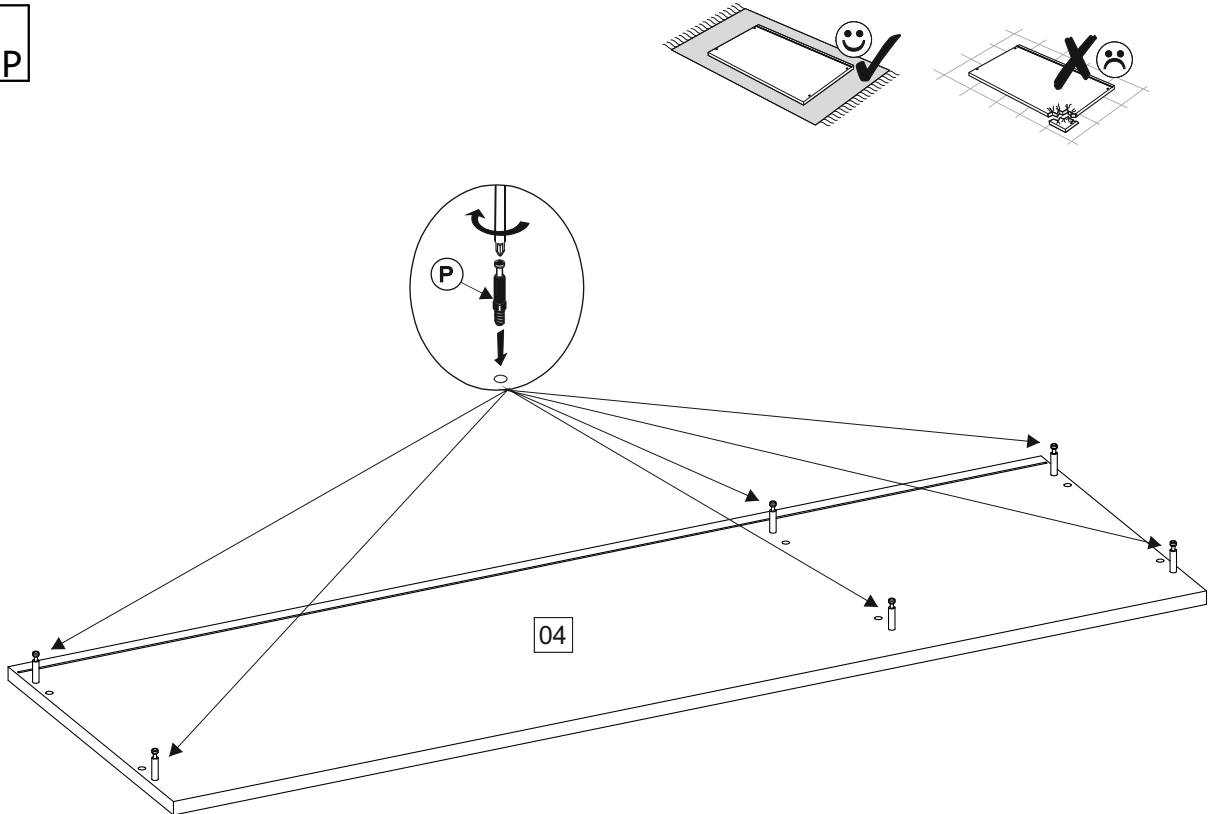
- 4x  A
8x35 mm
- 2x  C
- 2x  D
15x12 mm
- 2x  O


3

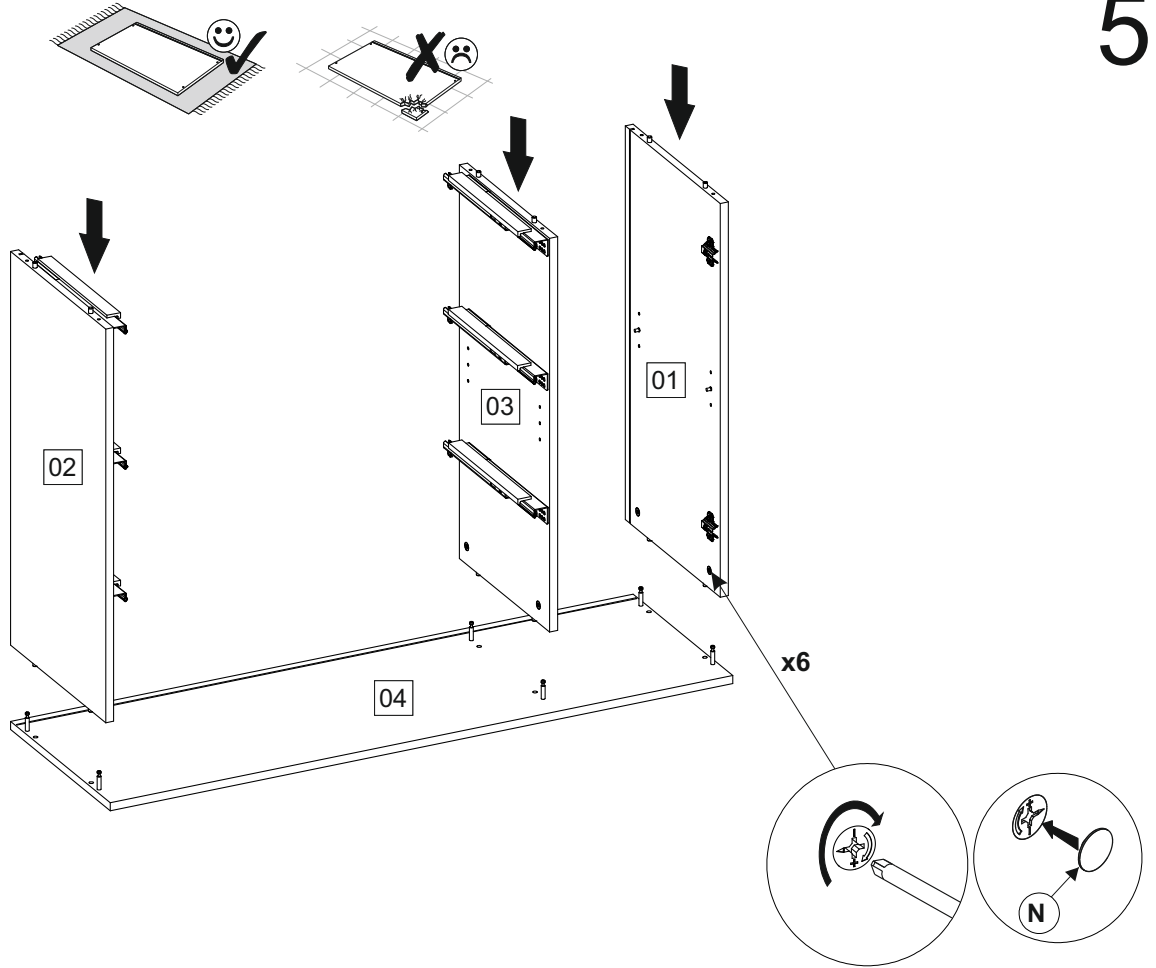



- 6x  P

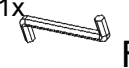
4

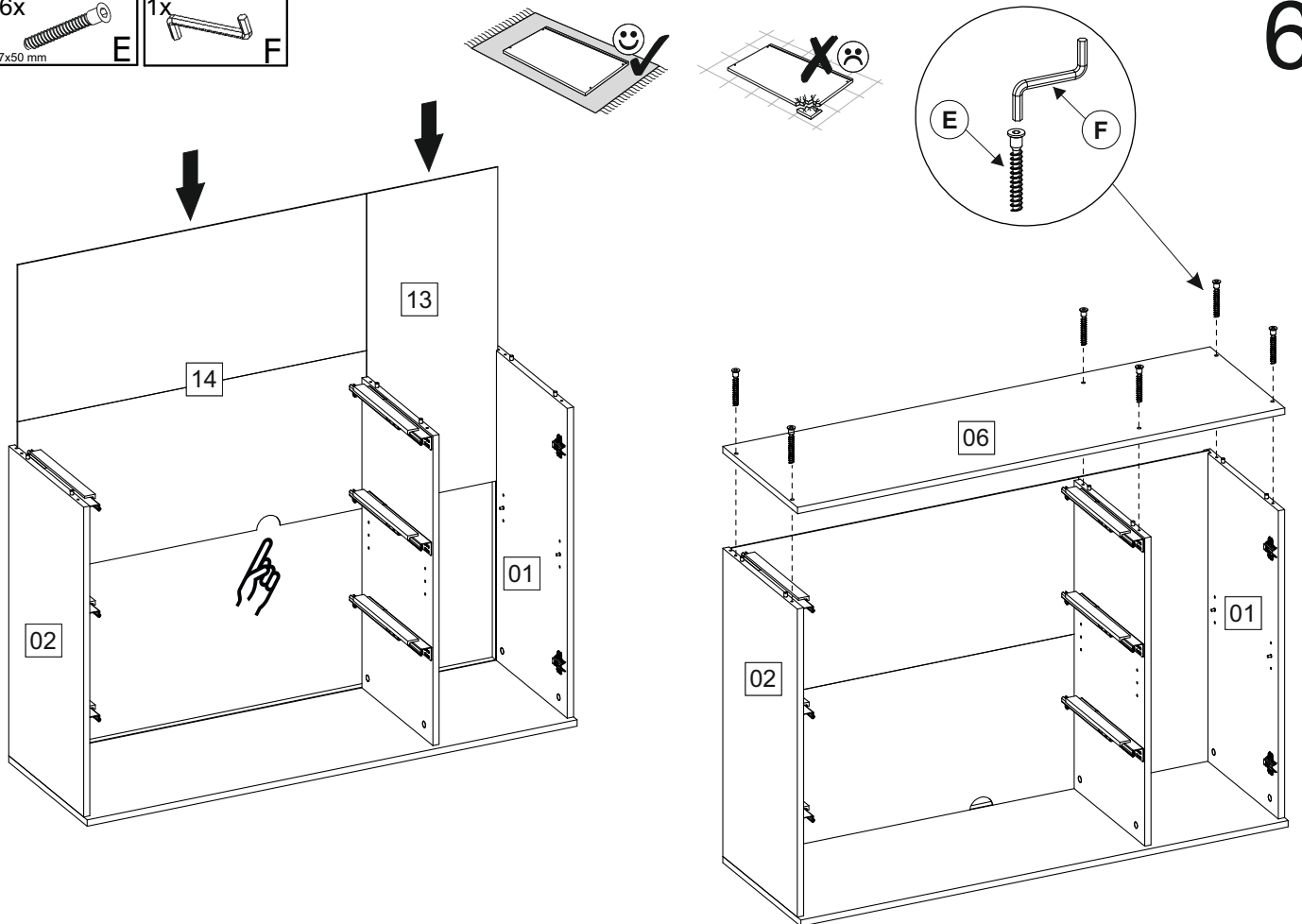


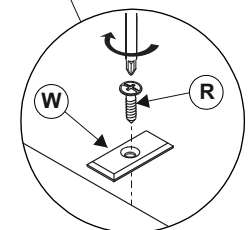
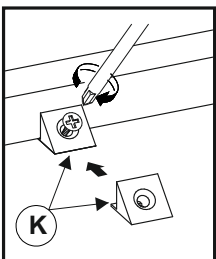
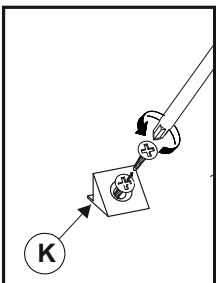
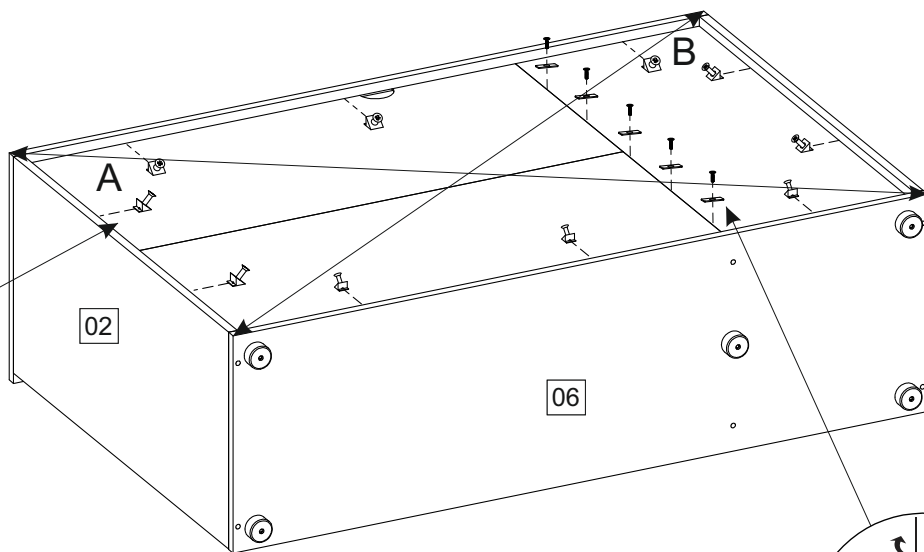
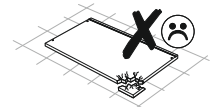
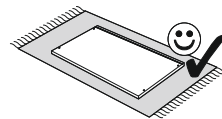
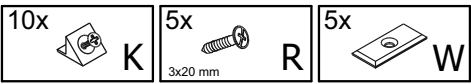
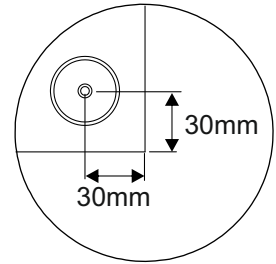
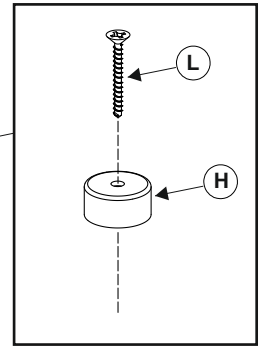
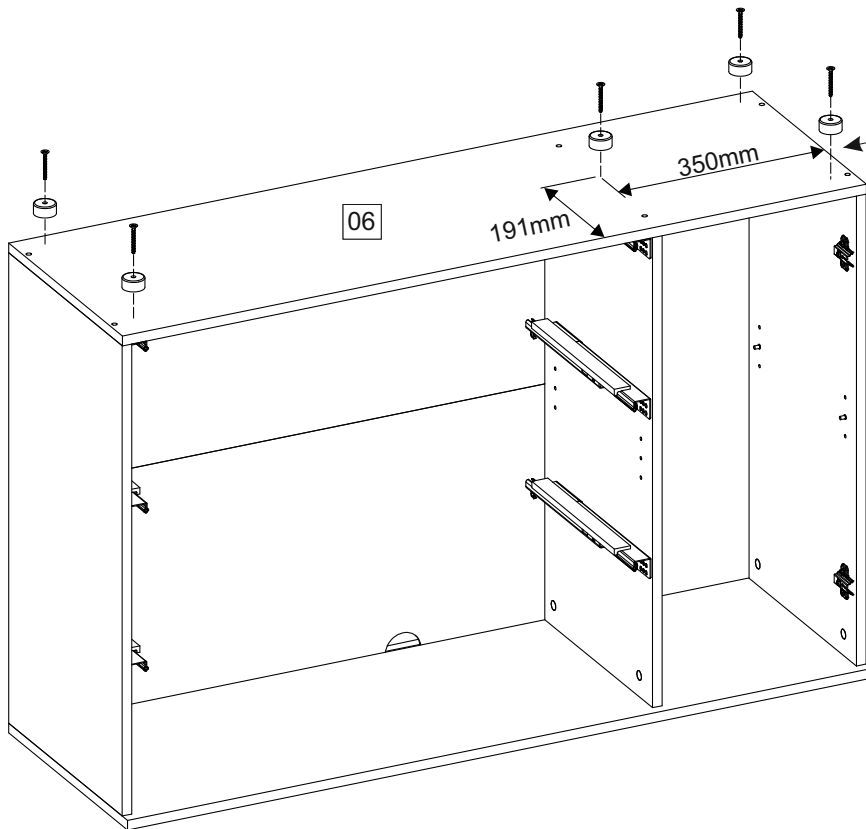
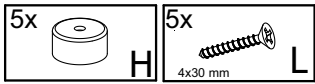
6x  N





6x  E
7x50 mm


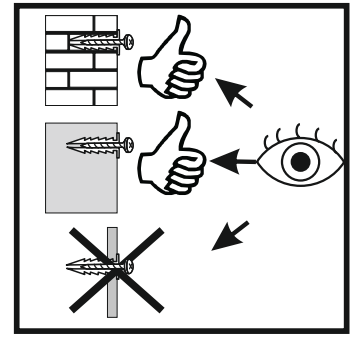
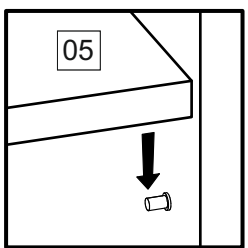
1x  F



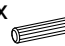



1x  G
3.5x16 mm


1x  I

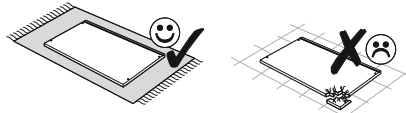




9

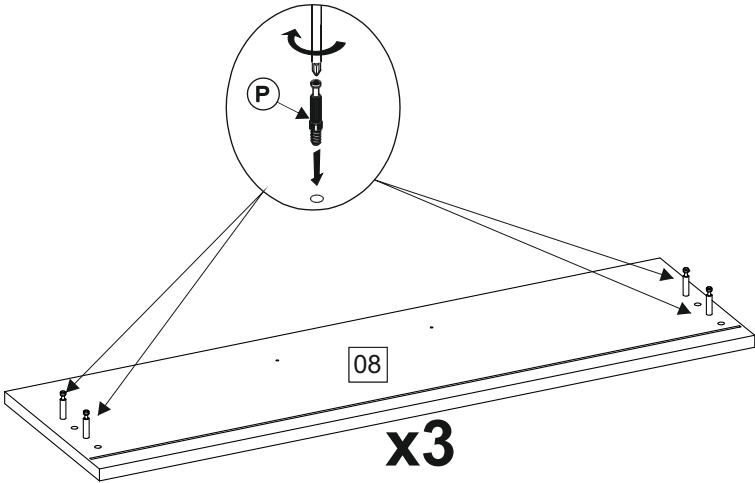
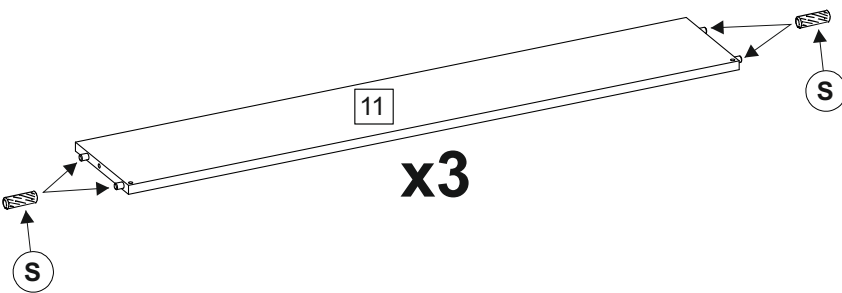
12x  S
6x30 mm

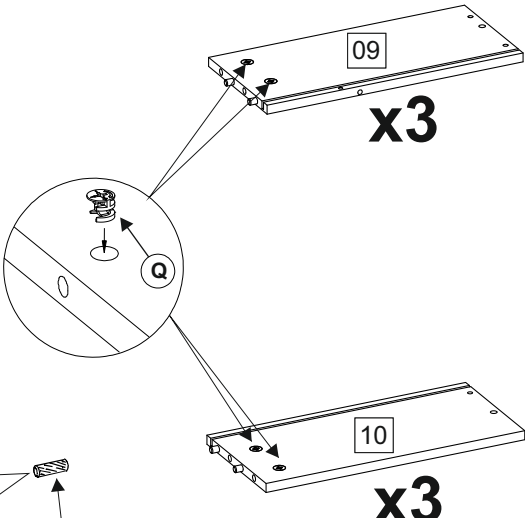
12x  Q
15x10 mm

12x  P



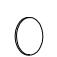


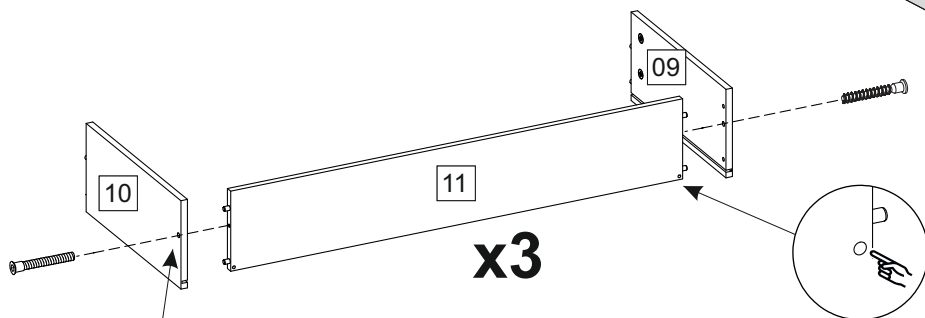
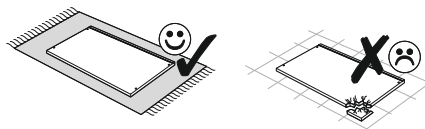
10

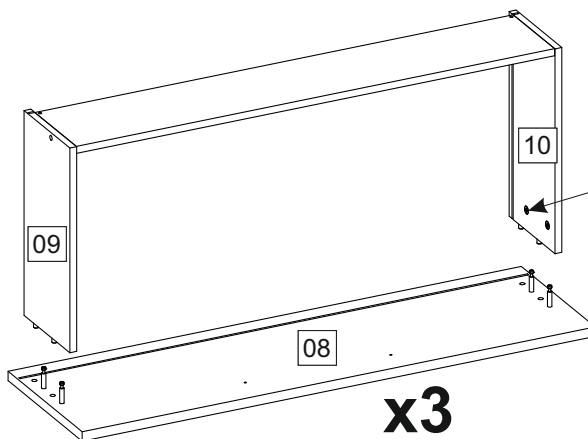


11

- 6x  E
7x50 mm
- 1x  F
- 12x  U

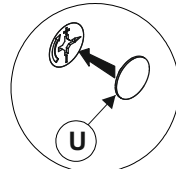
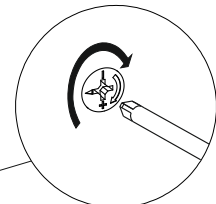
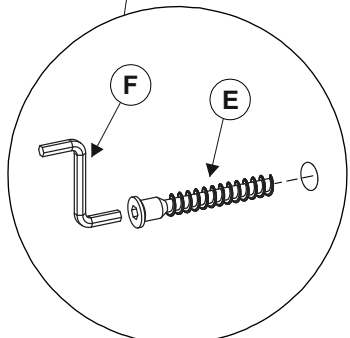



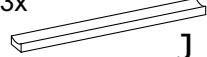

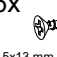
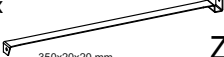
x3



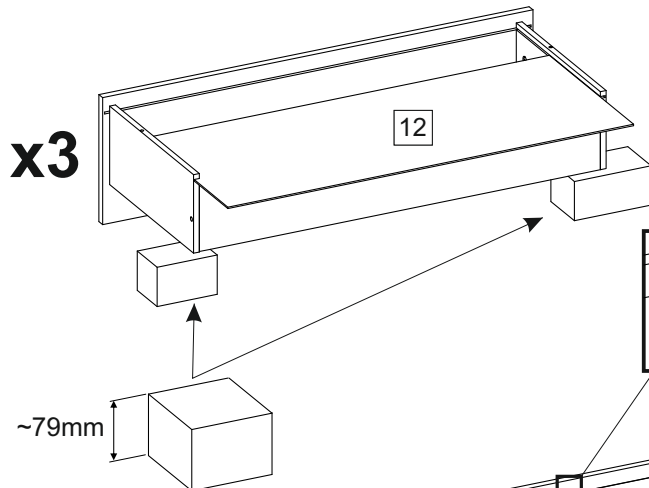
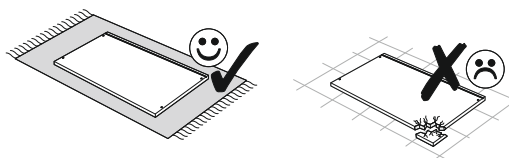
x3

x4



- 24x  R
3x20 mm
- 3x  J
- 6x  X
4x27 mm
- 6x  Y
3.5x13 mm
- 3x  Z
350x20x20 mm

12

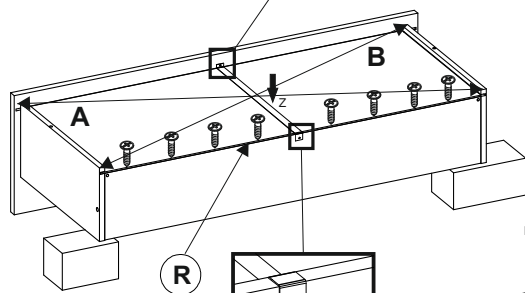


x3

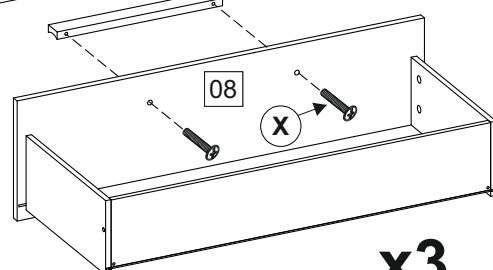
~79mm

A=B

x3



J



x3

