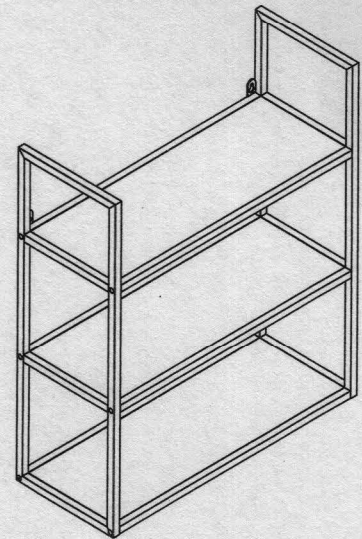
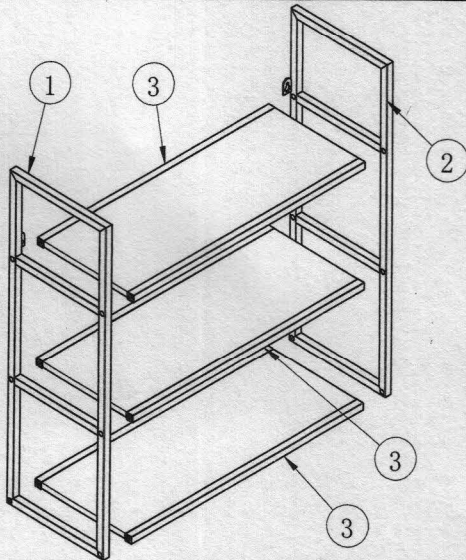
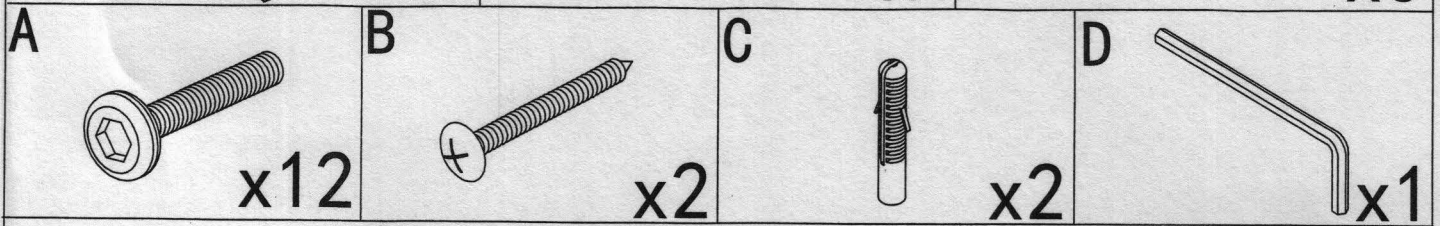
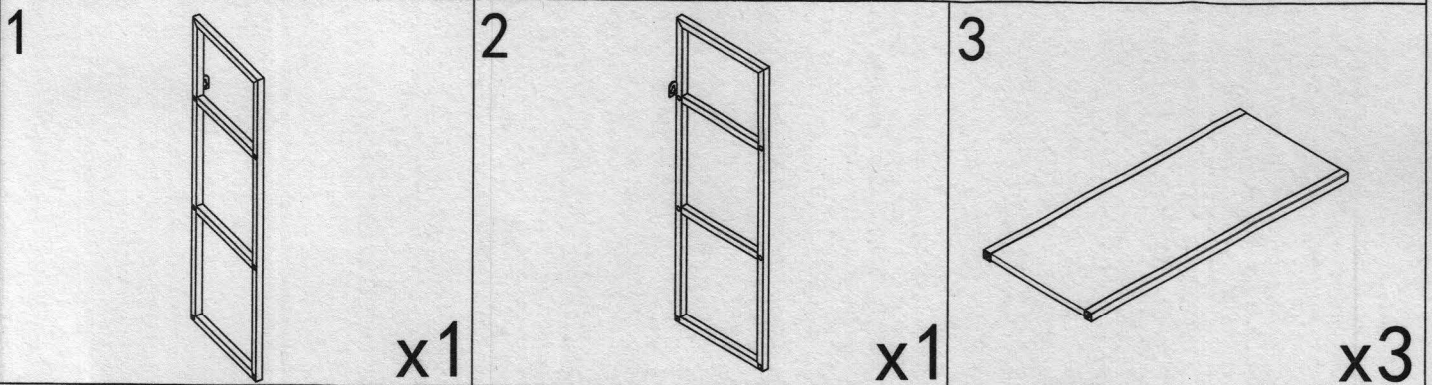
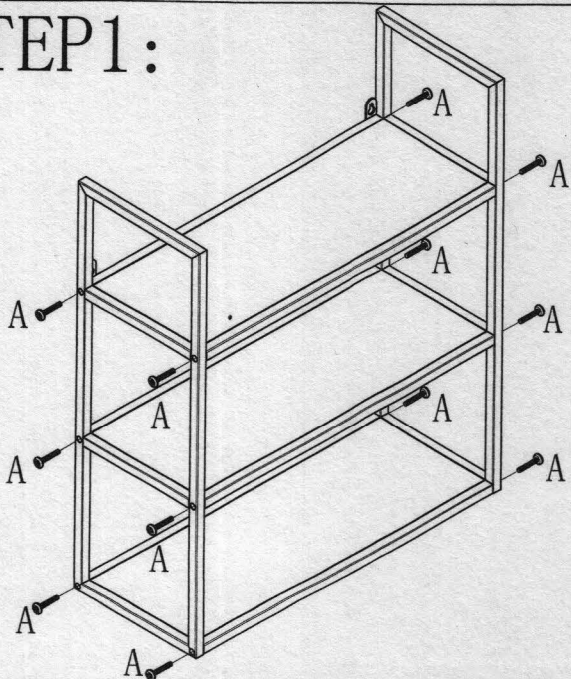


ASSEMBLY INSTRUCTIONS

ITEM NO: 25564



STEP1:



STEP2:

