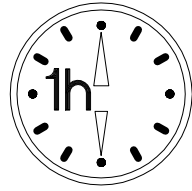
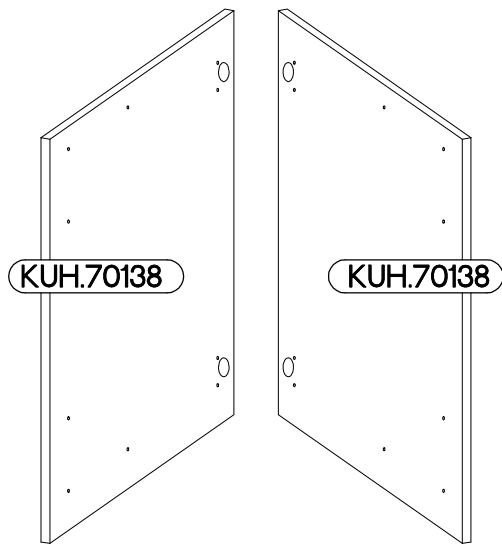
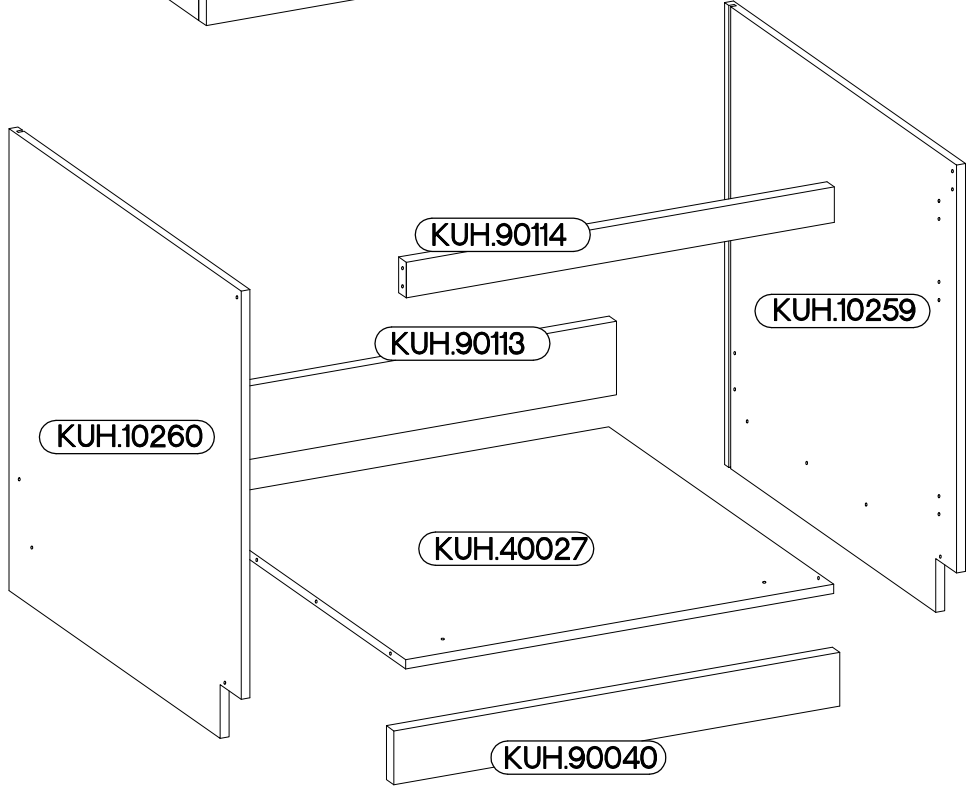


max. 10kg

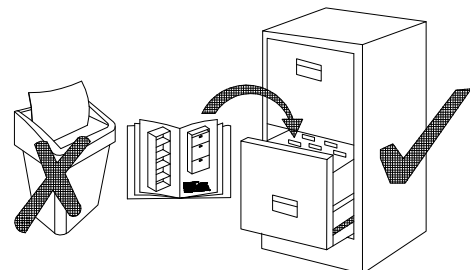
KUH.40027




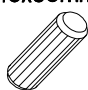
Ersatzteil Nummer	Dimension
KUH.10259	815x500x16
KUH.10260	815x500x16
KUH.40027	767x485x16
KUH.70138 x2	713x396x16
KUH.90114	767x63x16
KUH.90113	767x130x16
KUH.90040	799x95x16

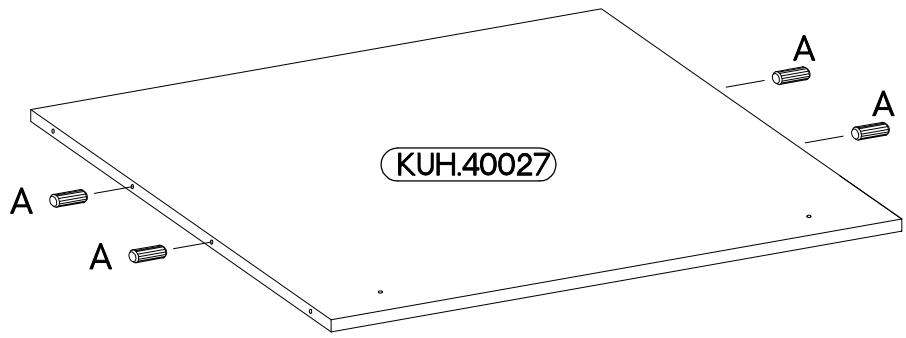
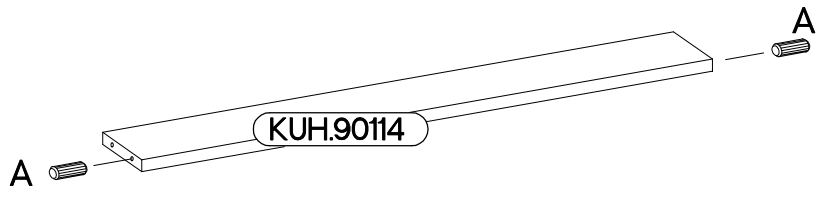
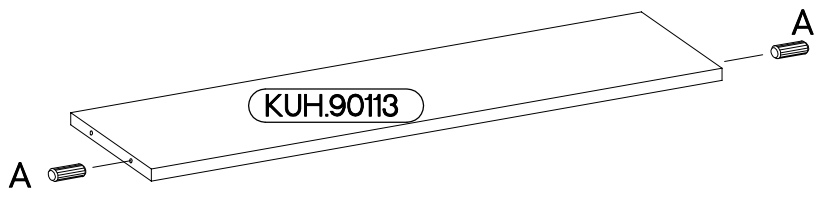
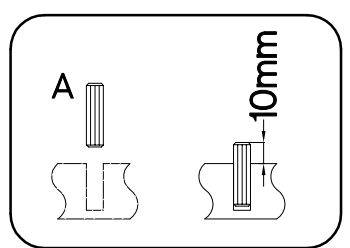
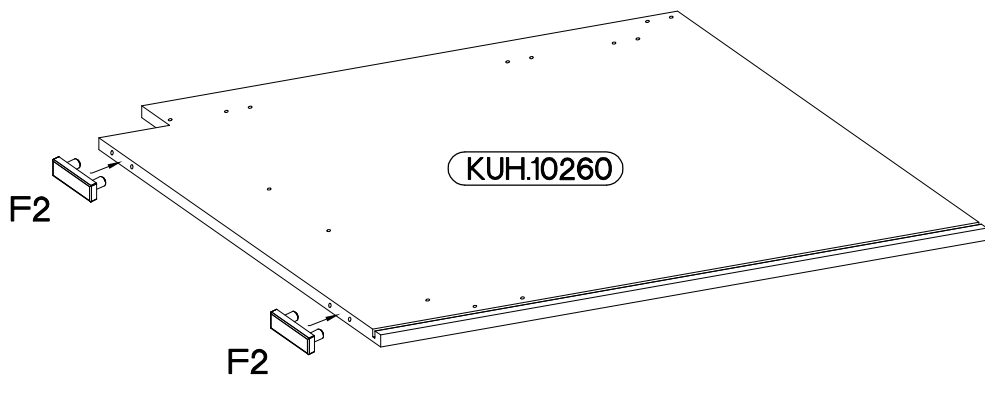
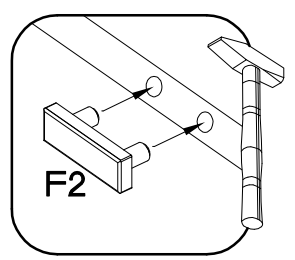
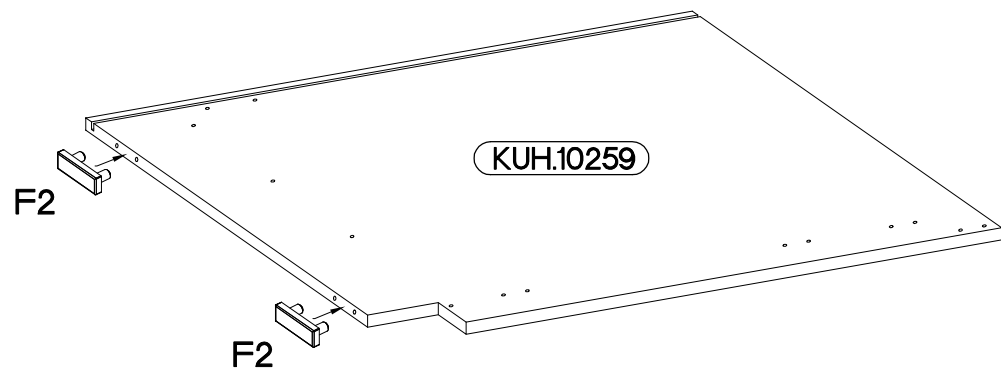
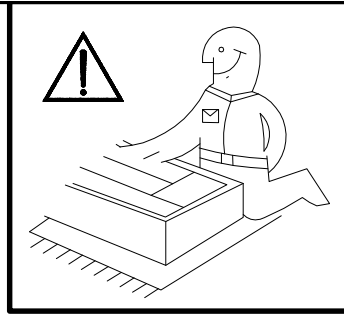


$\pm 8 \times 30 \text{mm}$ A 8	$6,4 \times 50 \text{mm}$ B 8	E1 8	E9 2	$6.5 \times 48 \times 16$ F2 4
HG 4	O 1	$\pm 4.0 \times 45 \text{mm}$ P4 2	$\pm 3.5 \times 13 \text{mm}$ P5 8	S23 2
			$M4 \times 22 \text{mm}$ U 4	



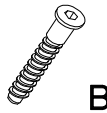
ISM-KUH-01259

6.5x48x16  F2 4	+8x30mm  A 8
--	---



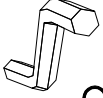
2

6,4 x 50mm



B

4



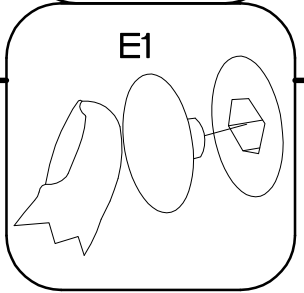
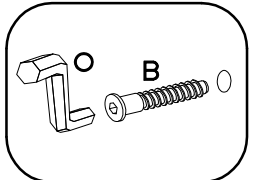
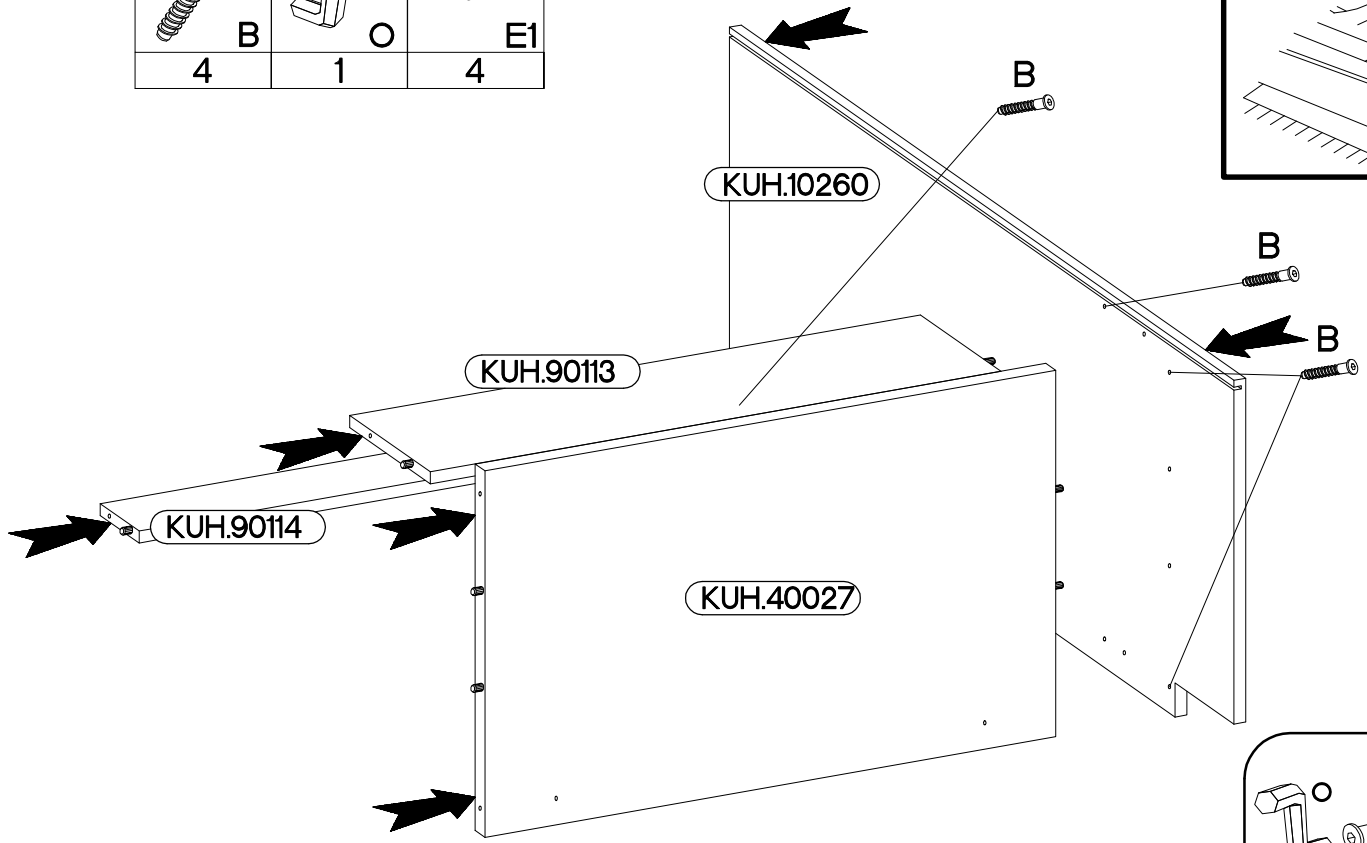
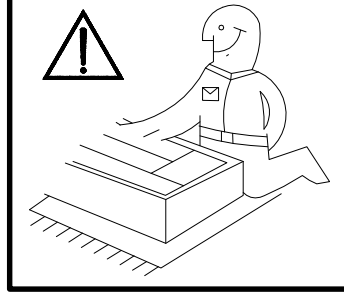
O

1



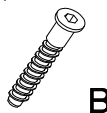
E1

4



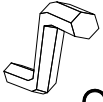
3

6,4 x 50mm



B

4



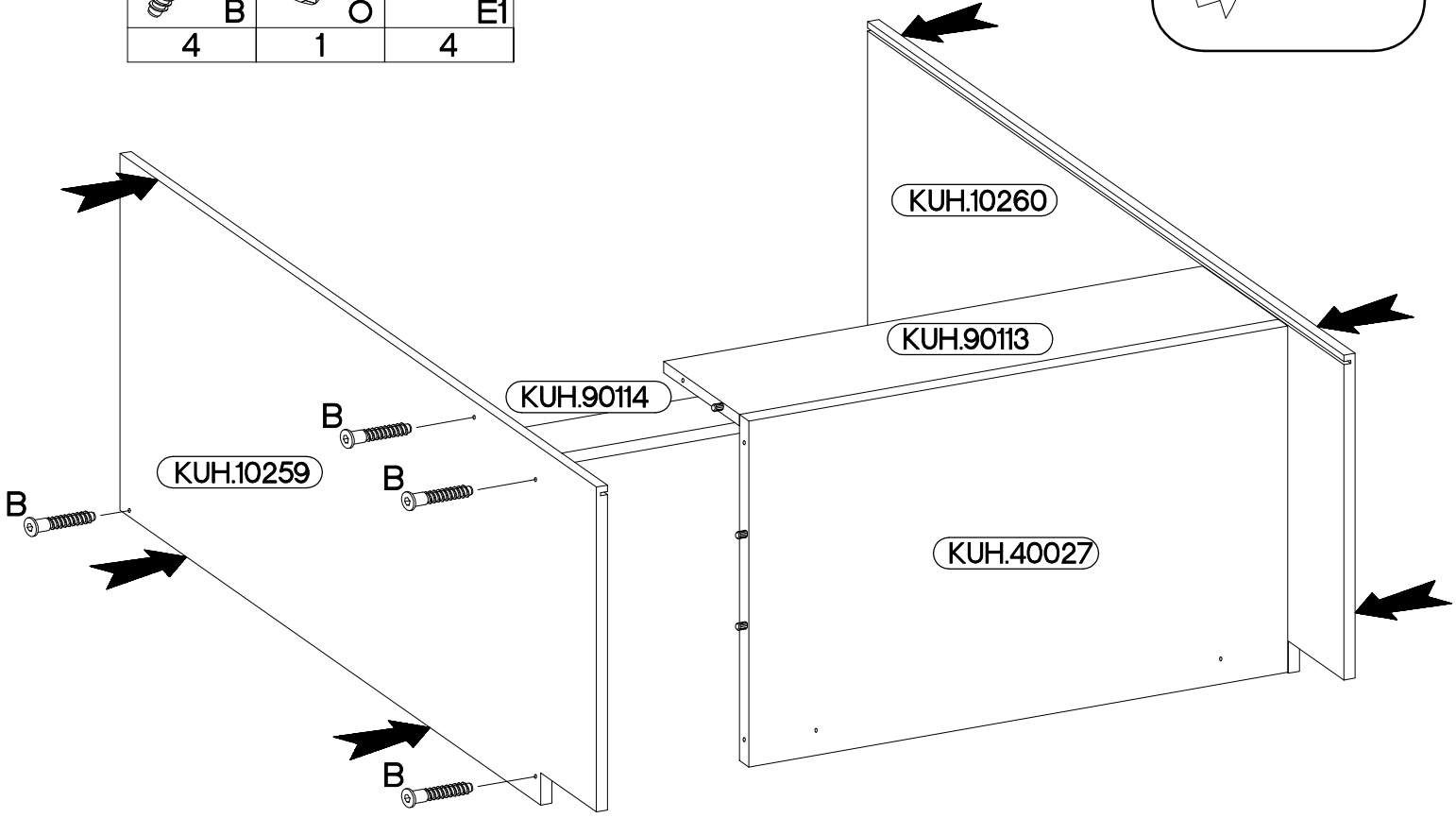
O

1





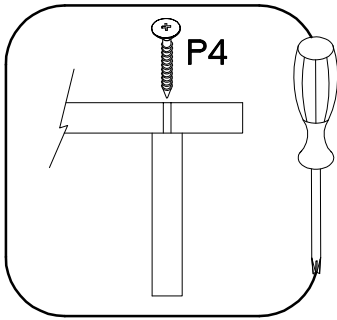
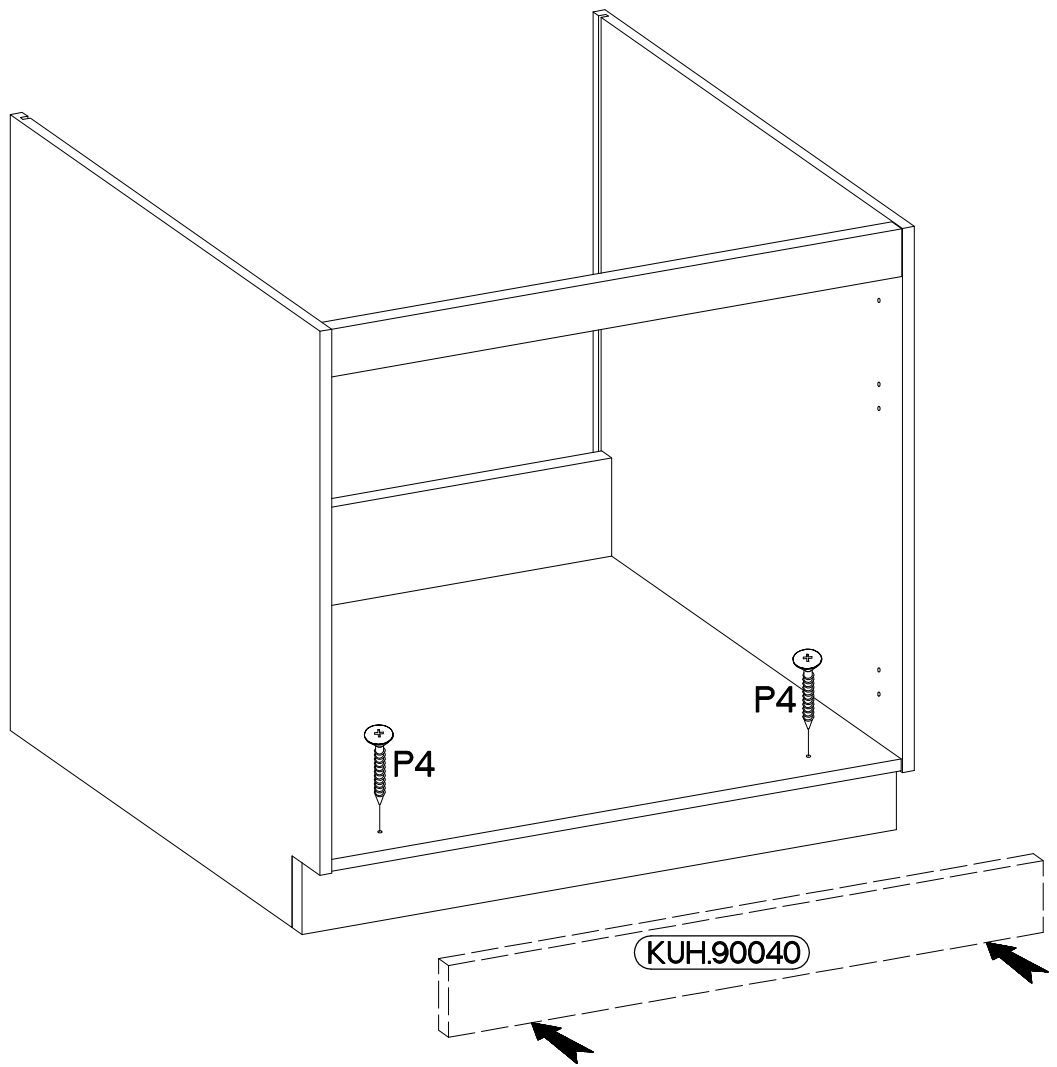
E1

4

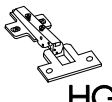



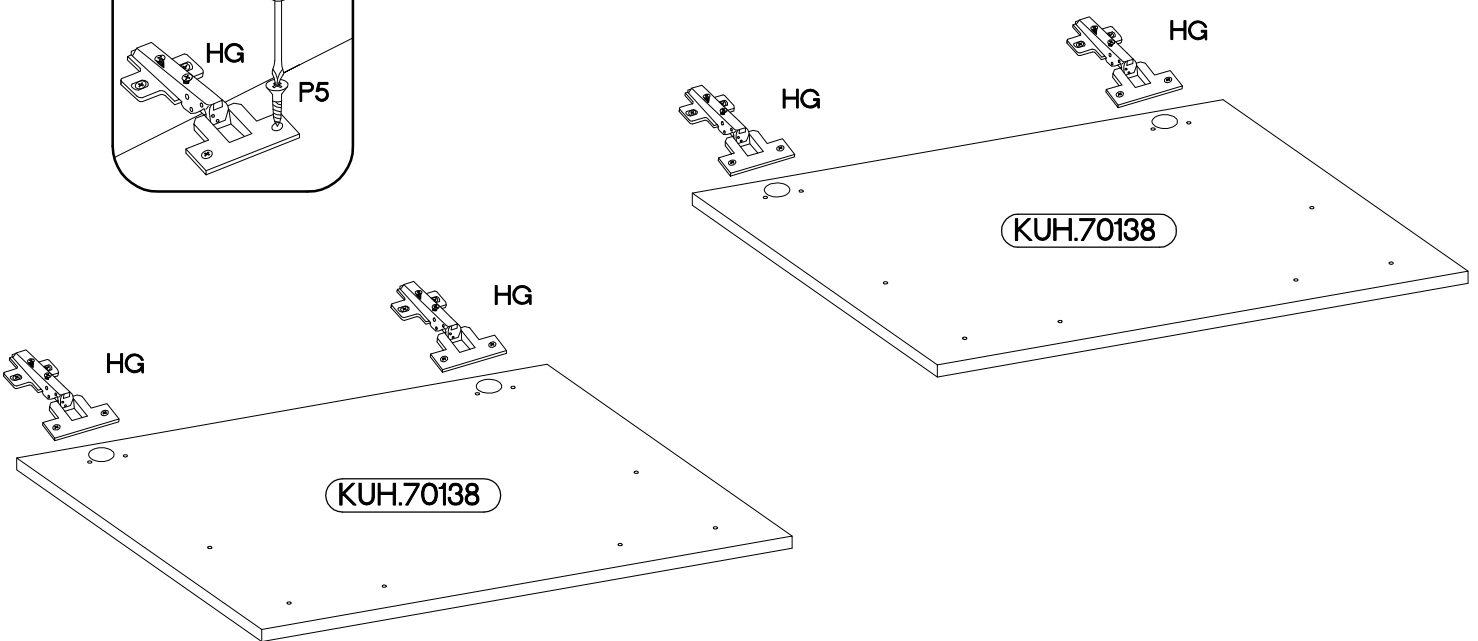
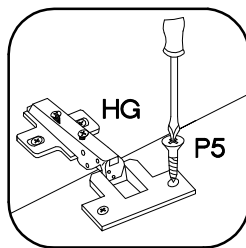
4

±4.0x45mm		
	P4	E9
	2	2

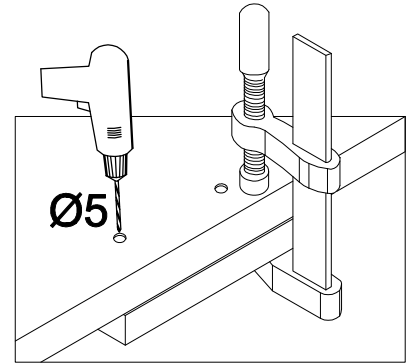
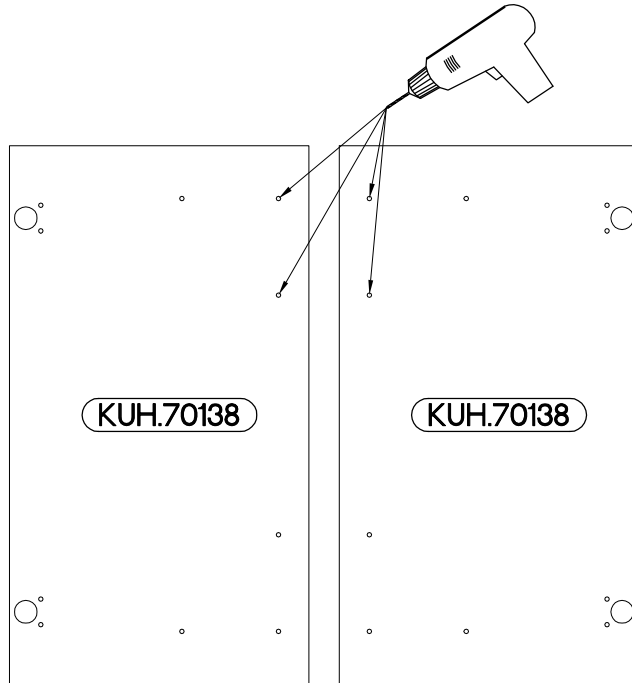
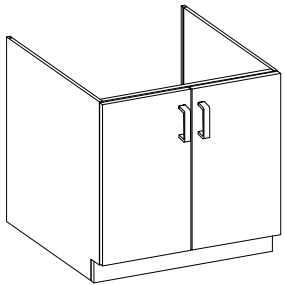
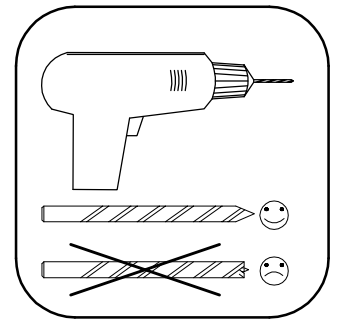
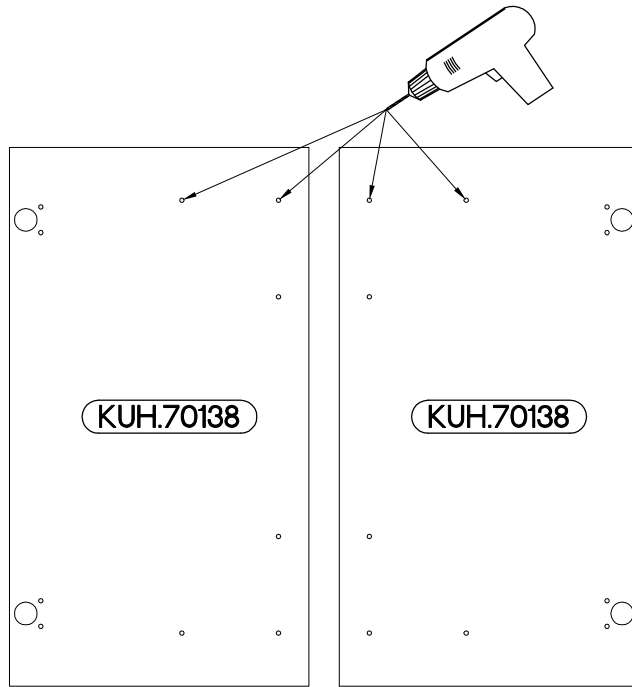
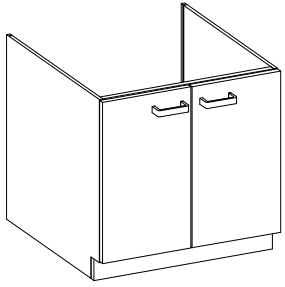


5

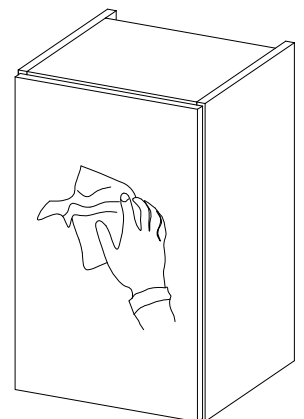
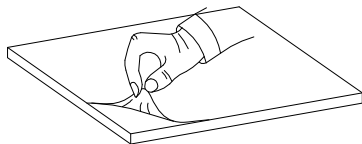
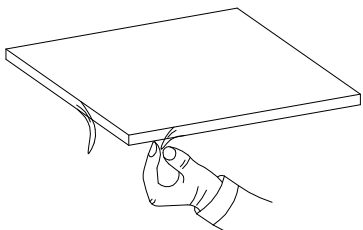
±35/0mm	±3.5x13mm
	
HG	P5
4	8




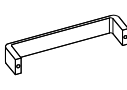
6



VARIANT HIGH GLOSS



7

M4x22mm	
	
U	S23
4	2

