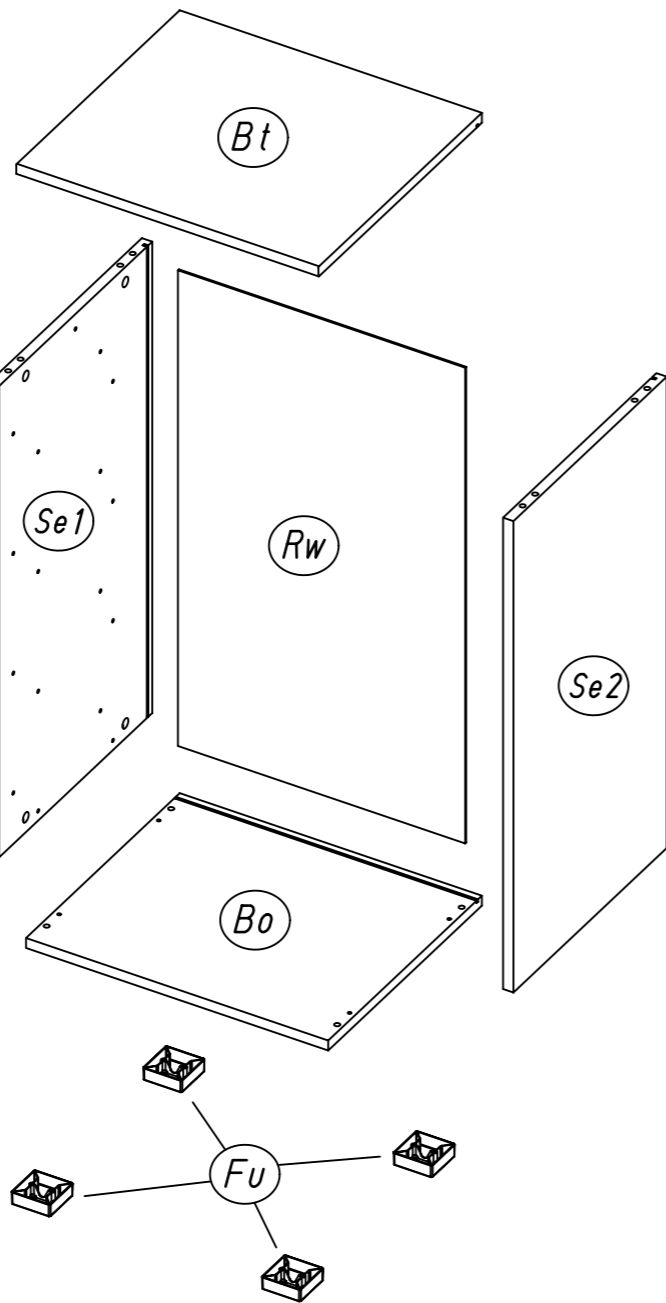
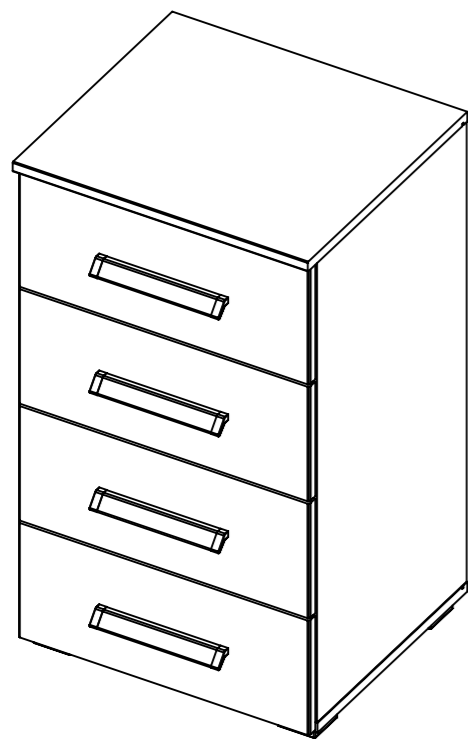
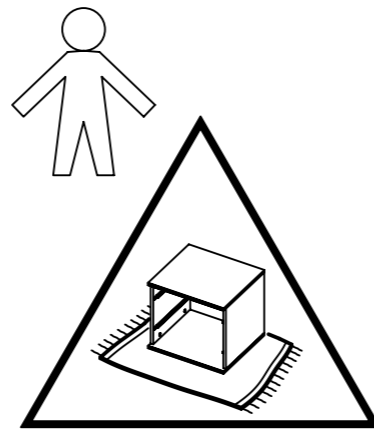
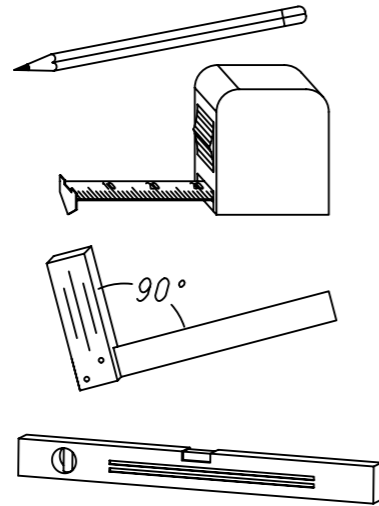
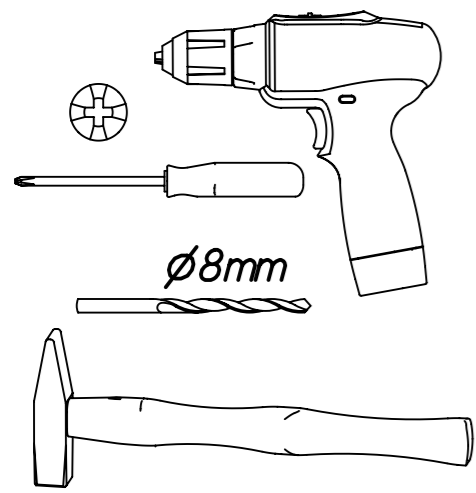


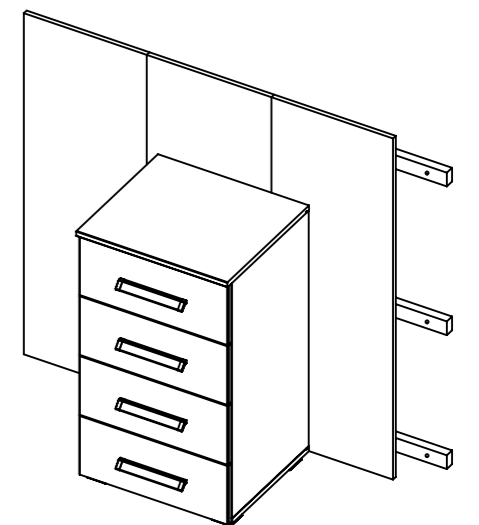
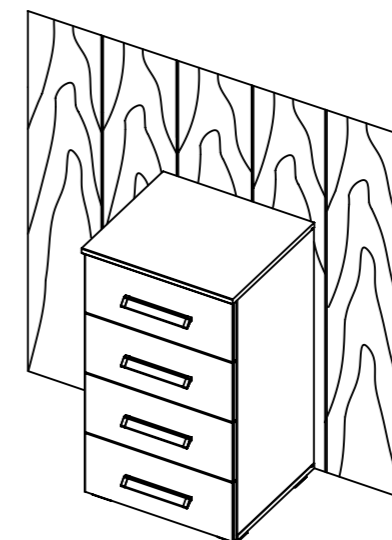
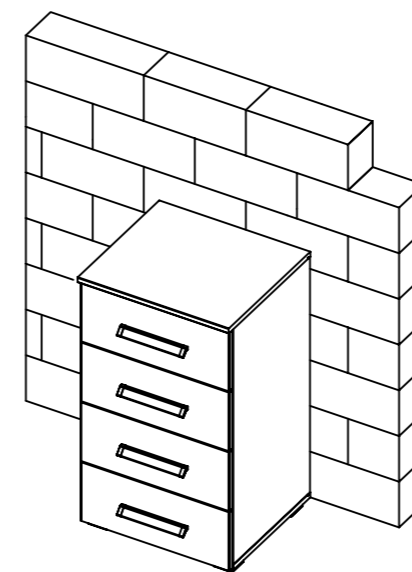
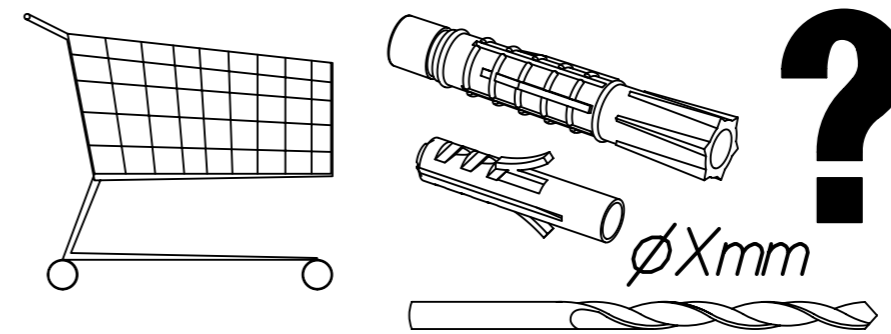
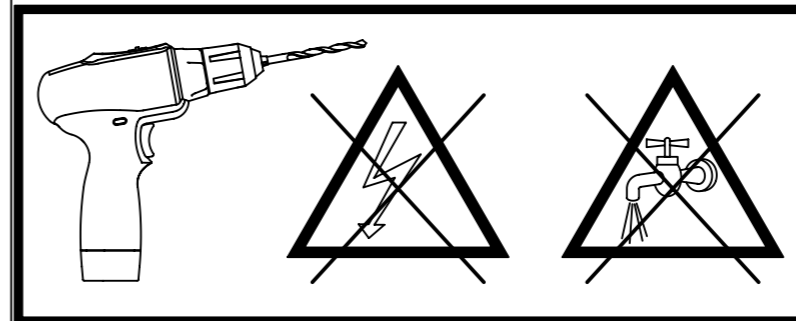
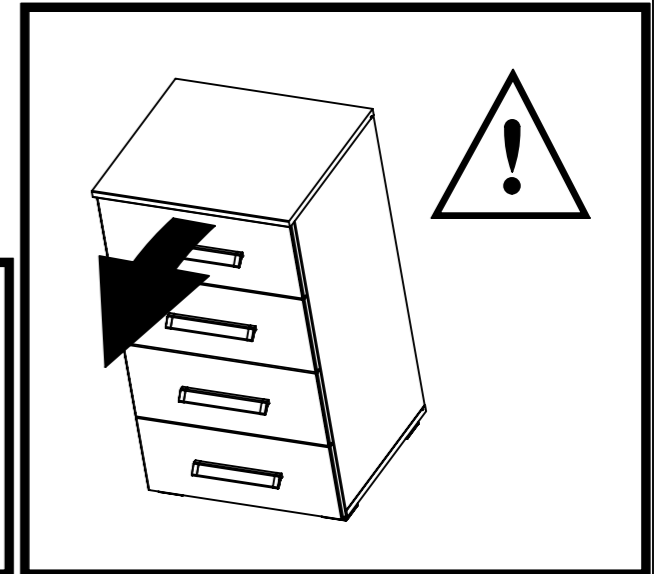
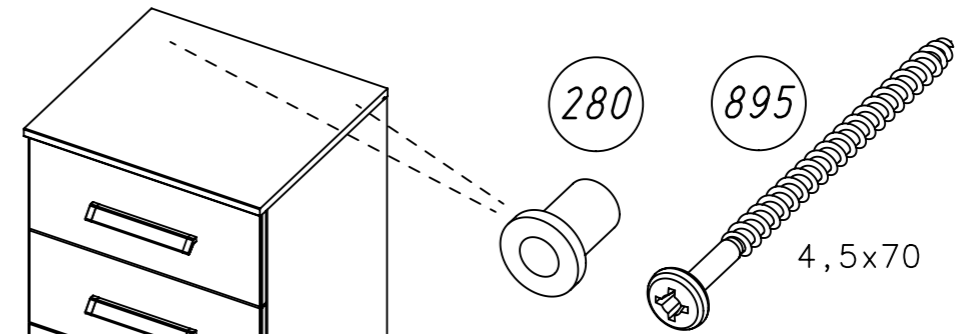
1.

M2101_01

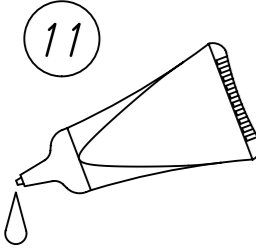
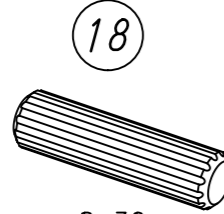
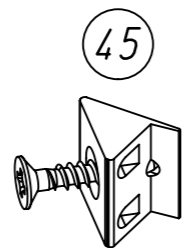
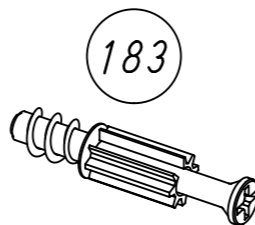
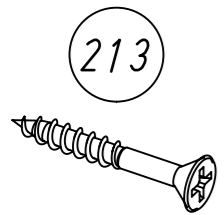



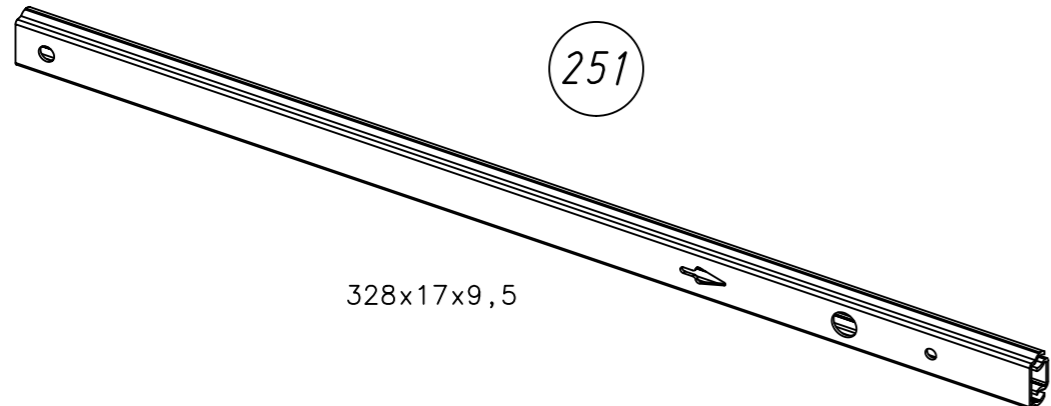
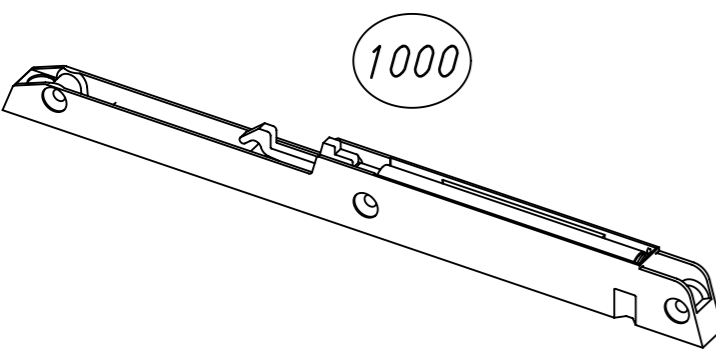
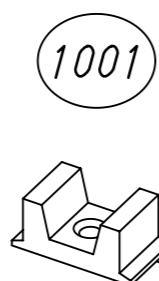
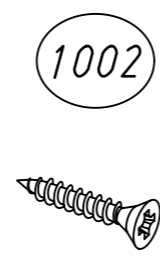


rauch



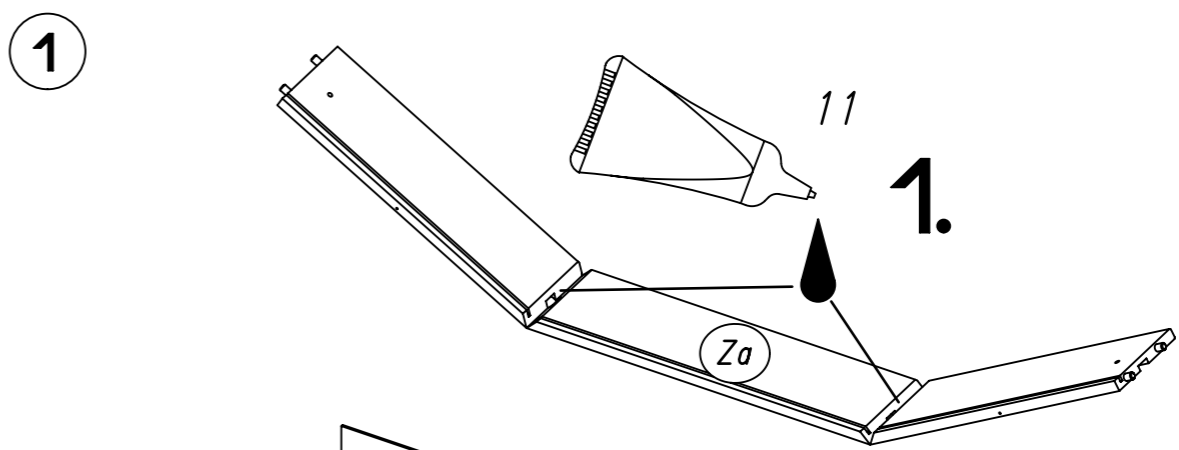
2.



3.

| | | | |
|---|--|---|---|
|  <p>11</p> |  <p>18</p> <p>8x30</p> |  <p>45</p> |  <p>183</p> <p>23/10x7,5</p> |
|  <p>213</p> <p>4x30</p> |  <p>227</p> <p>6x10,5</p> |  <p>349</p> |  <p>568</p> <p>M4x9</p> |
|  <p>251</p> <p>328x17x9,5</p> | | | |
|  <p>1000</p> |  <p>1001</p> |  <p>1002</p> <p>3,5x20</p> |  <p>1003</p> <p>6x12</p> |
|  <p>0 20 40 60 80 100 mm</p> <p>M2101</p> | | | |

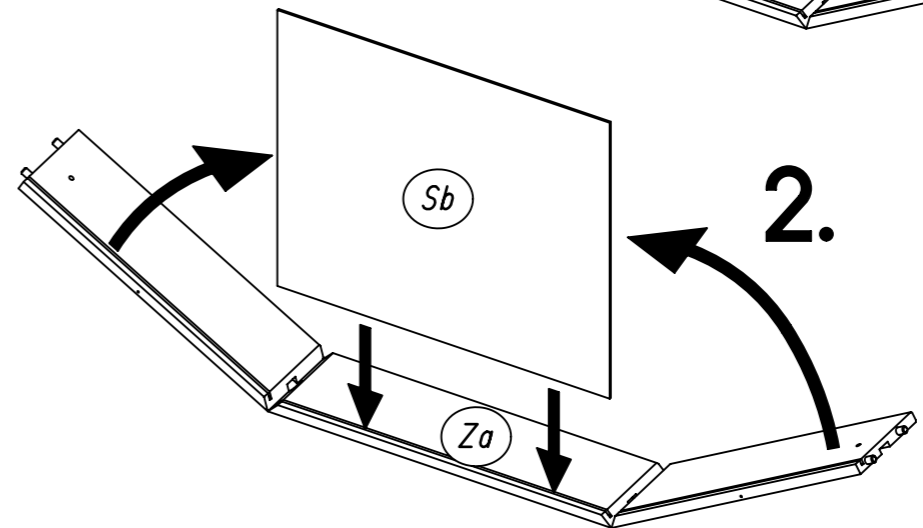
4.



1

11

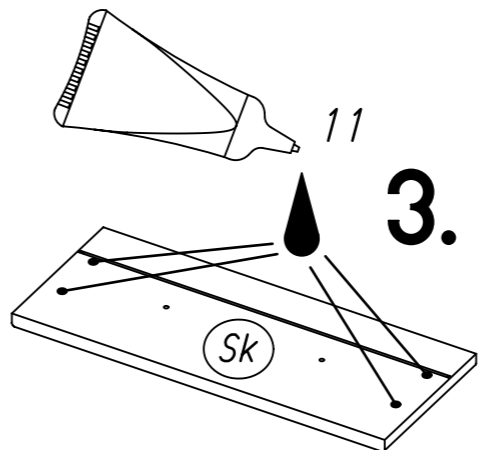
Za



2

Sb

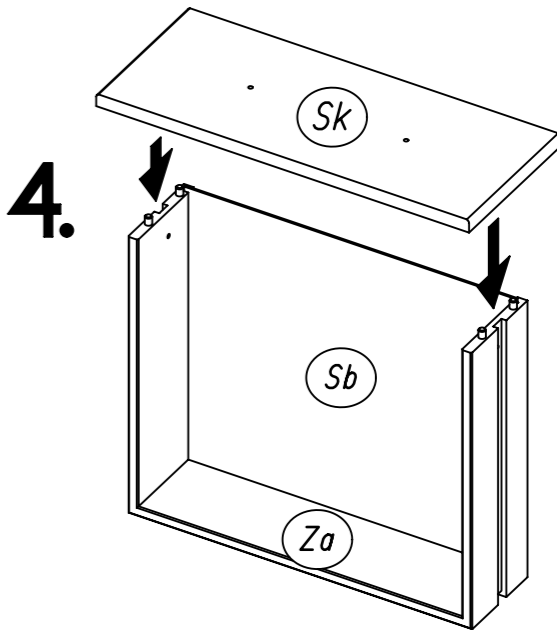
Za



3

11

Sk

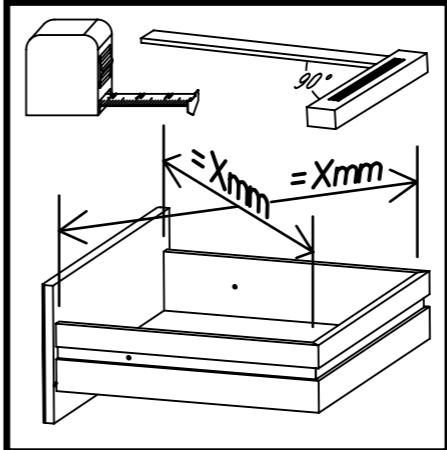
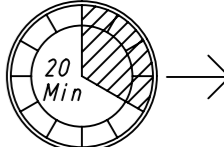


4

Sk

Sb

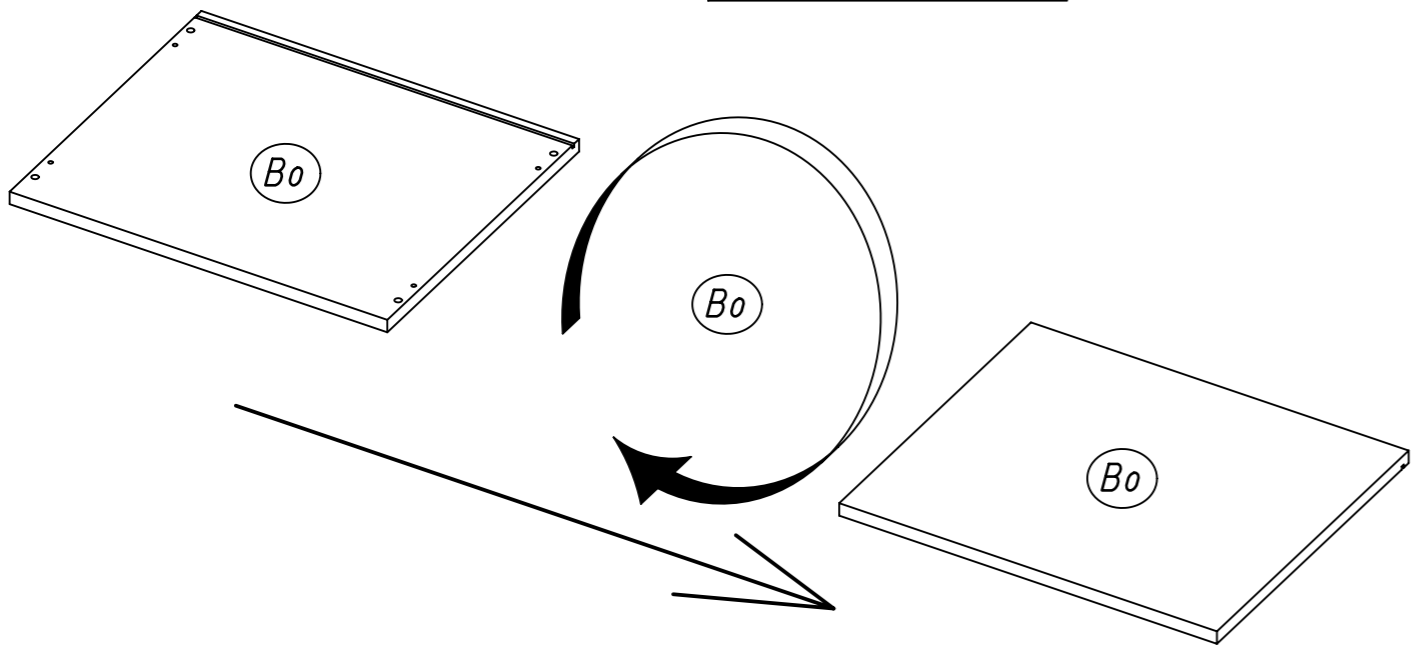
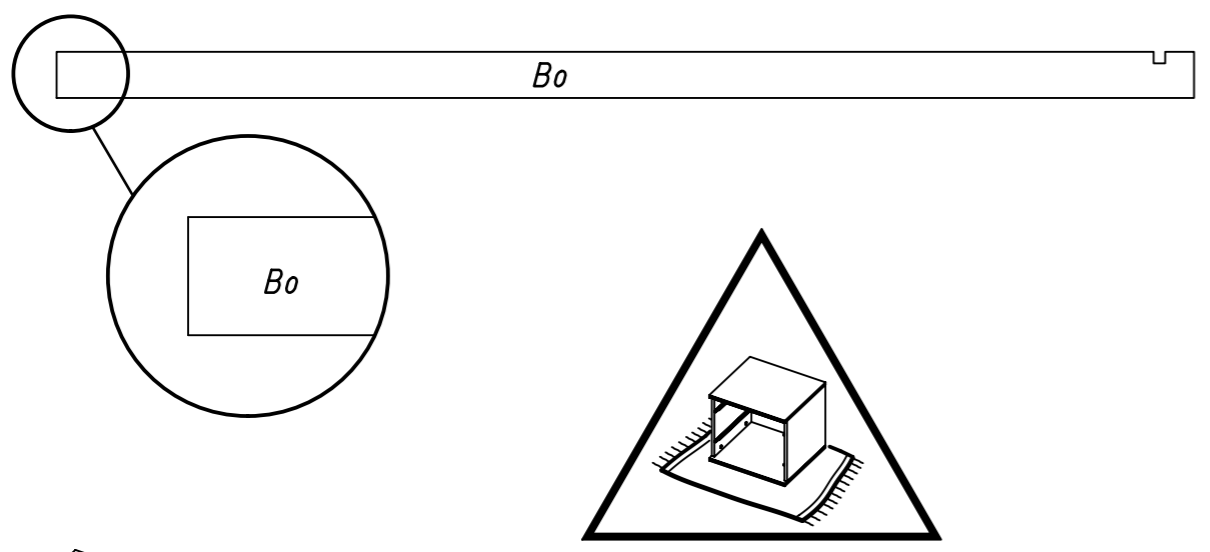
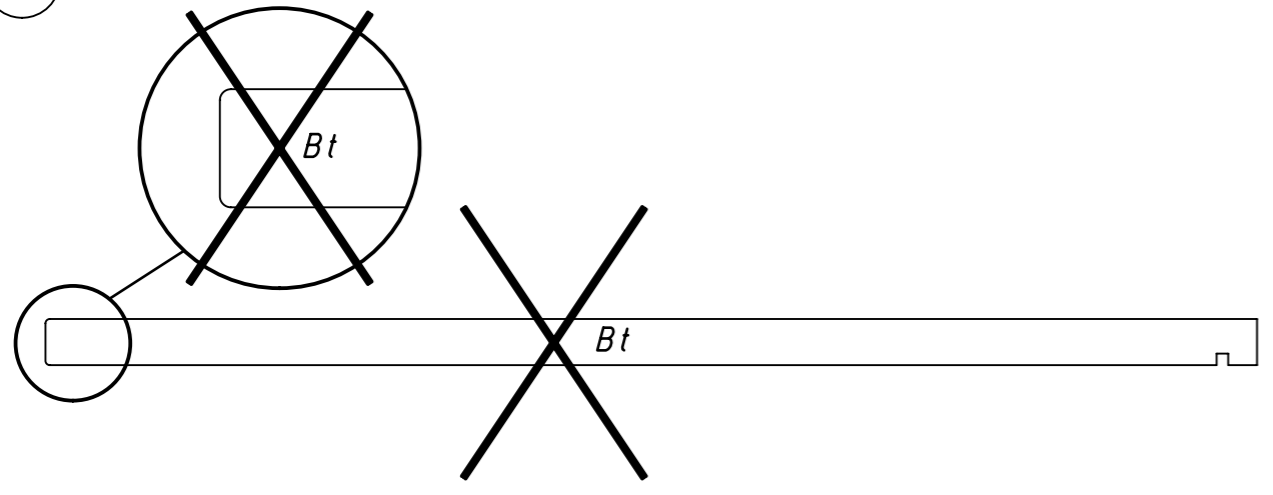
Za

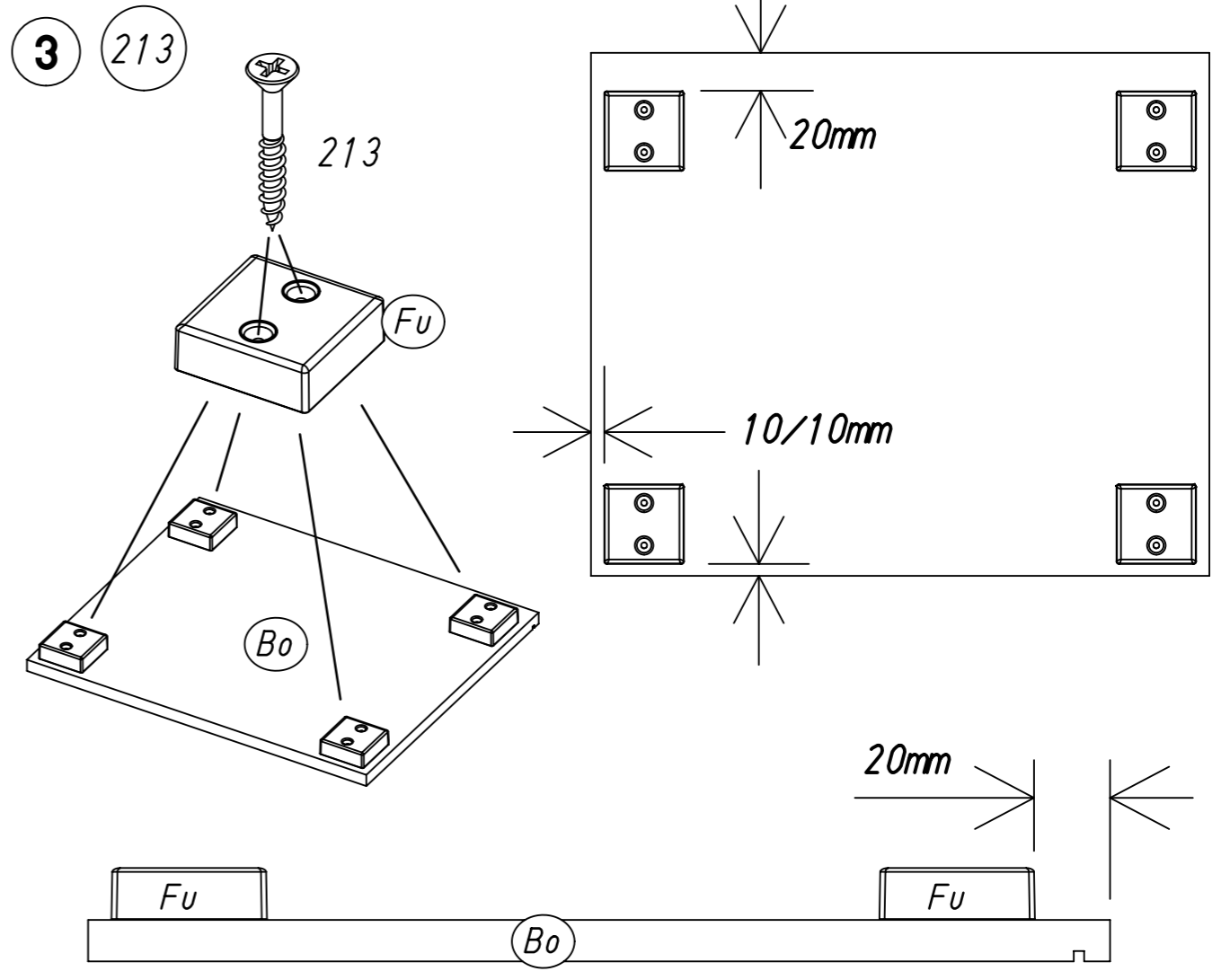
20 Min

M2101

2

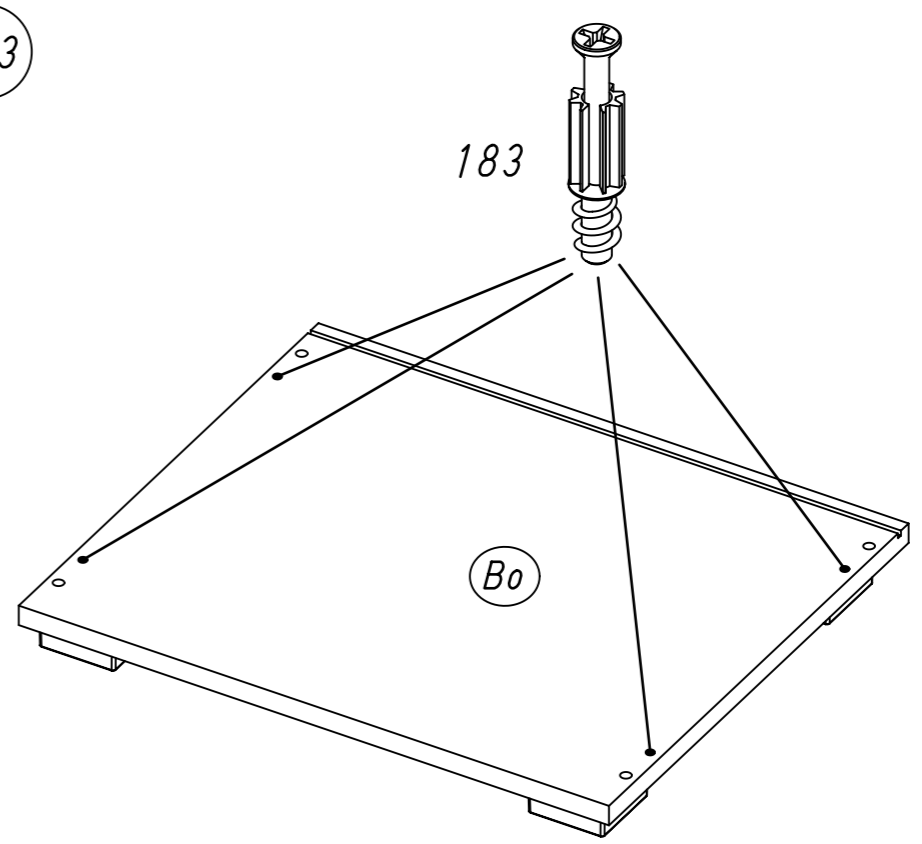


3



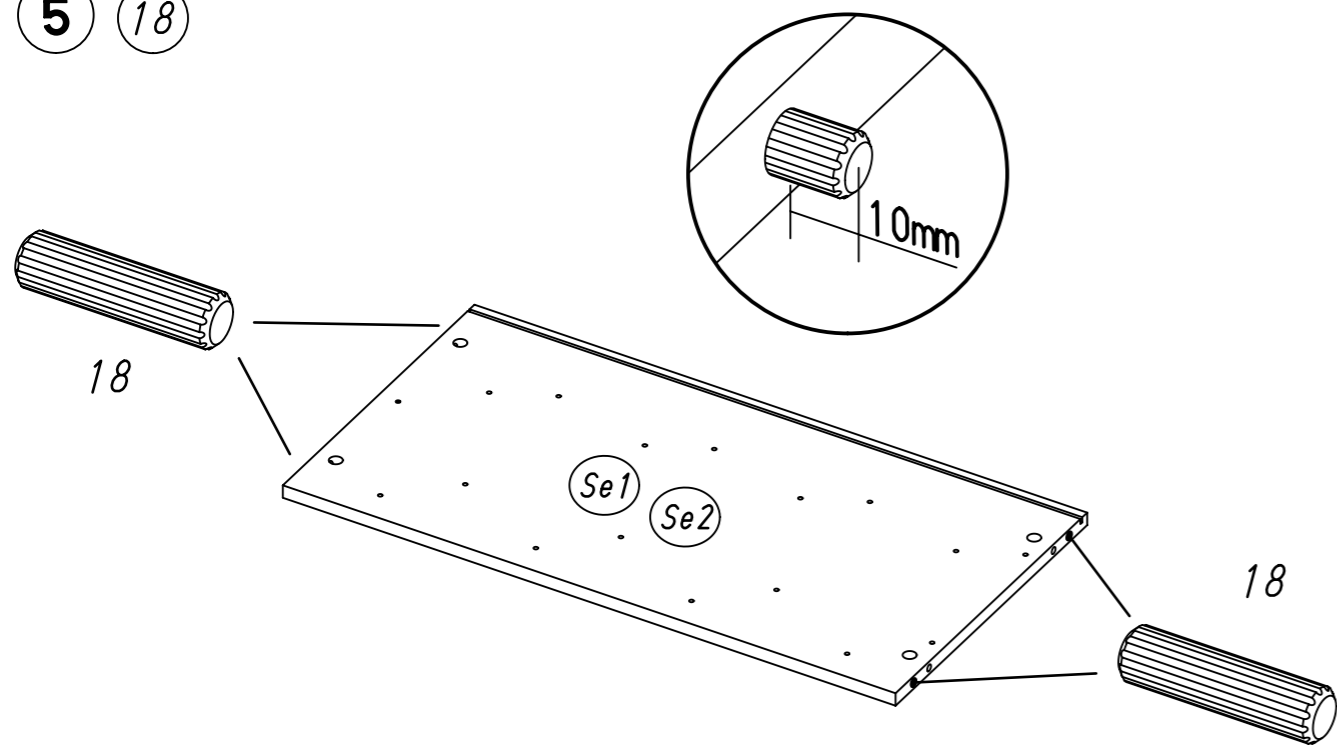
4

183



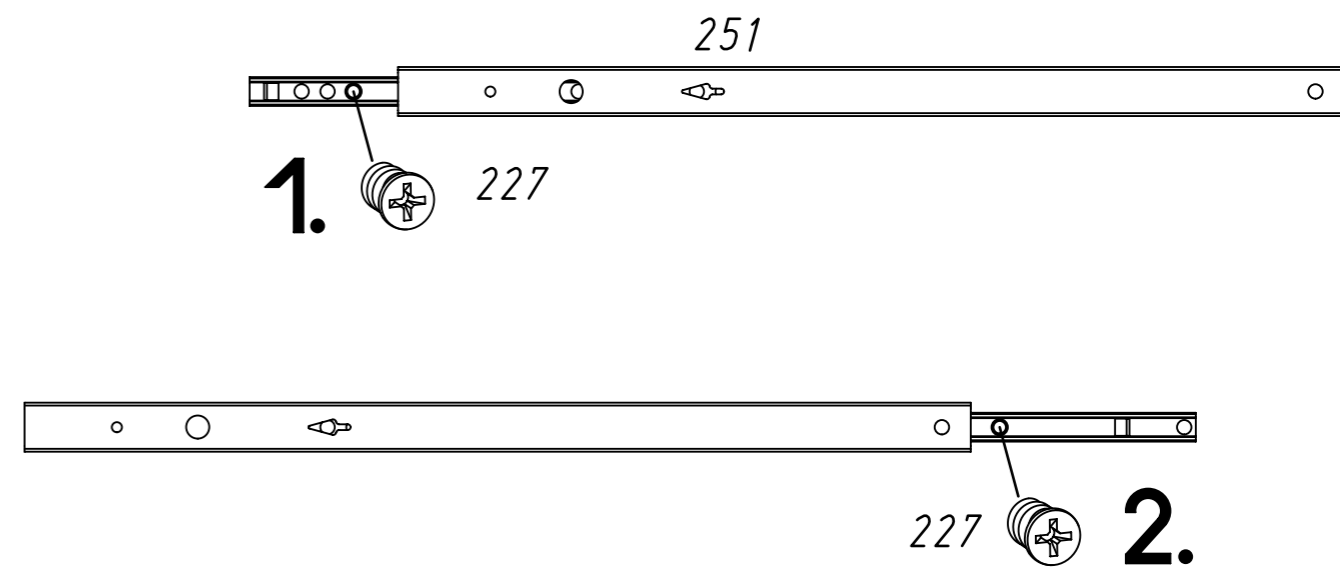
7.

5 18

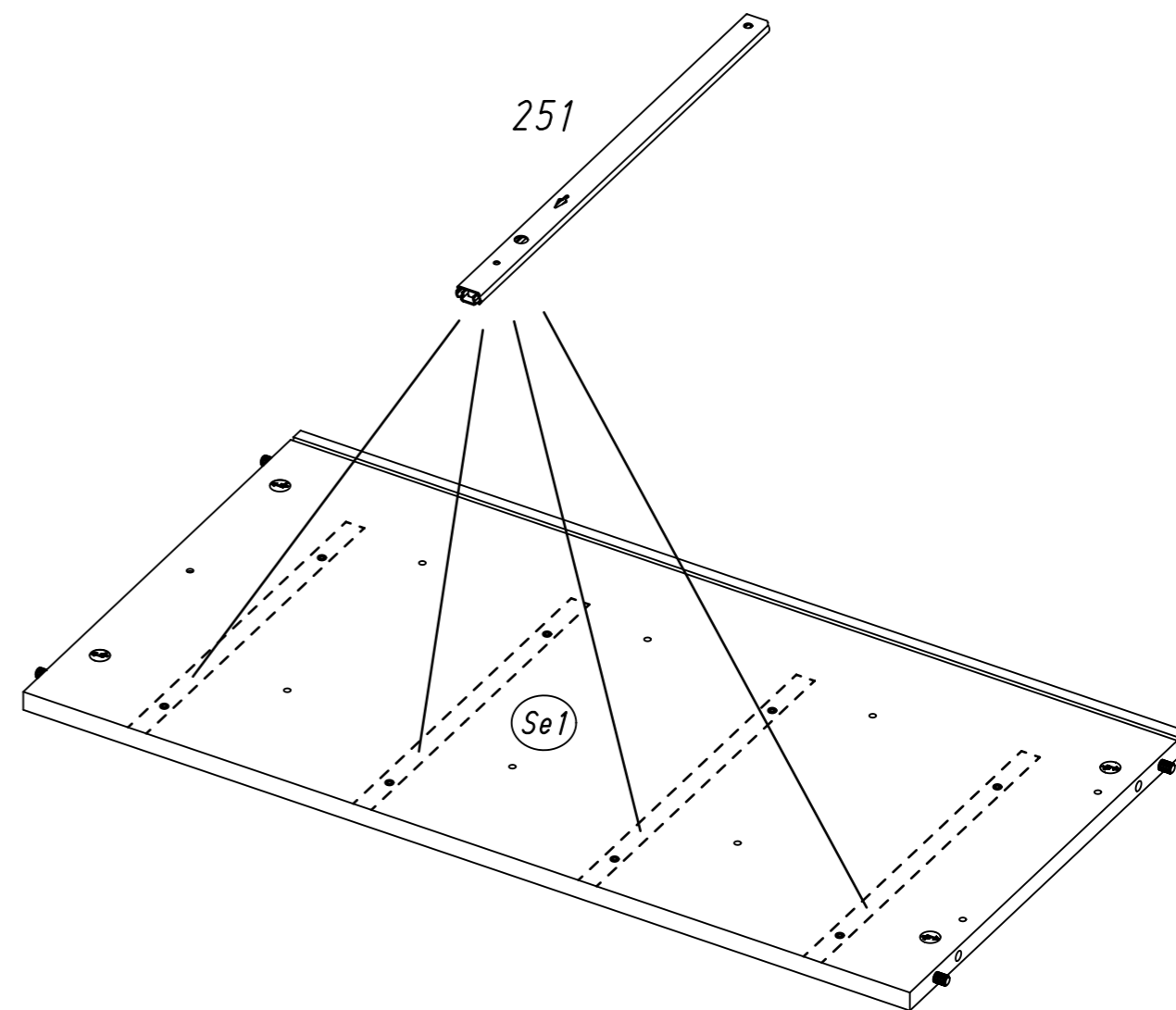
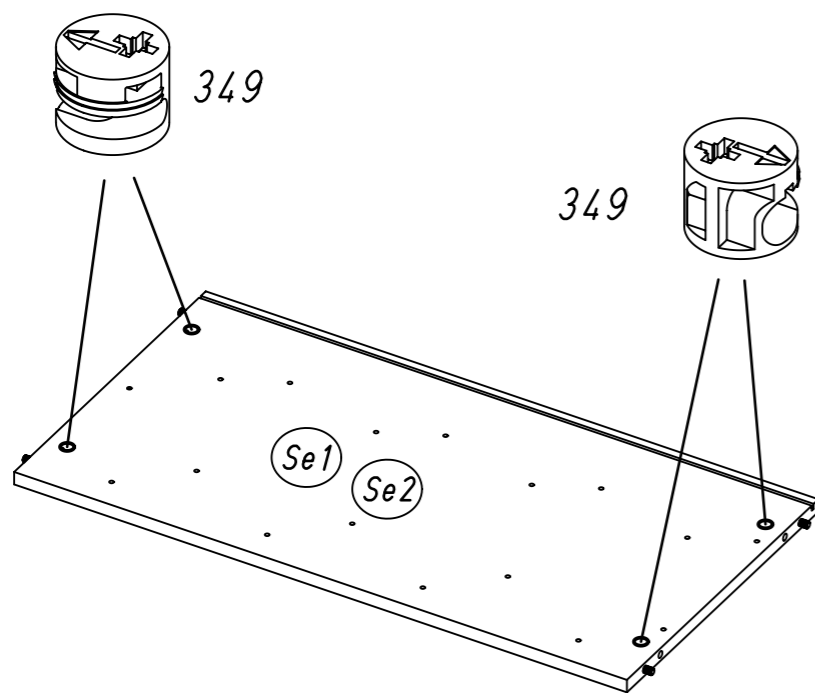


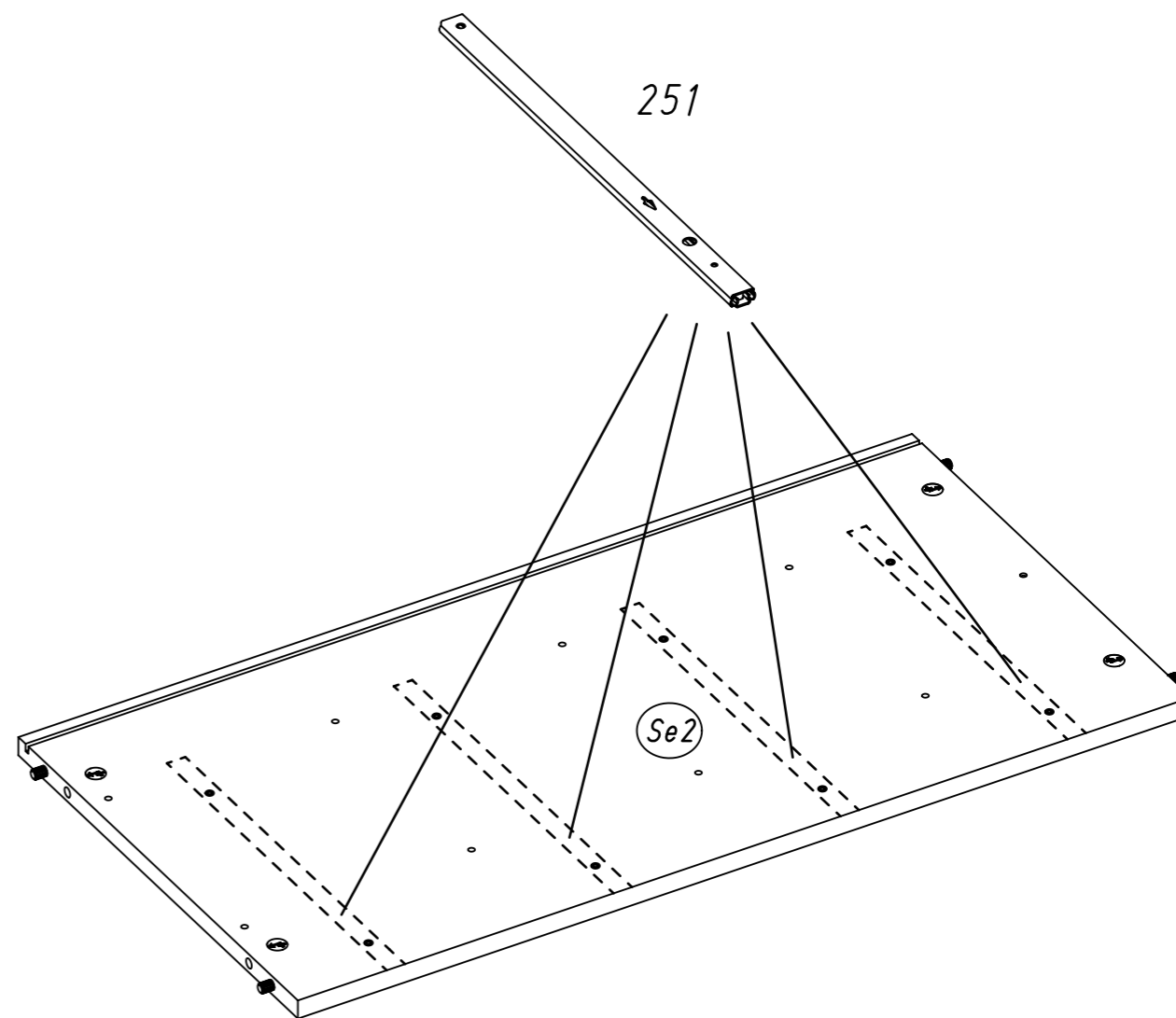
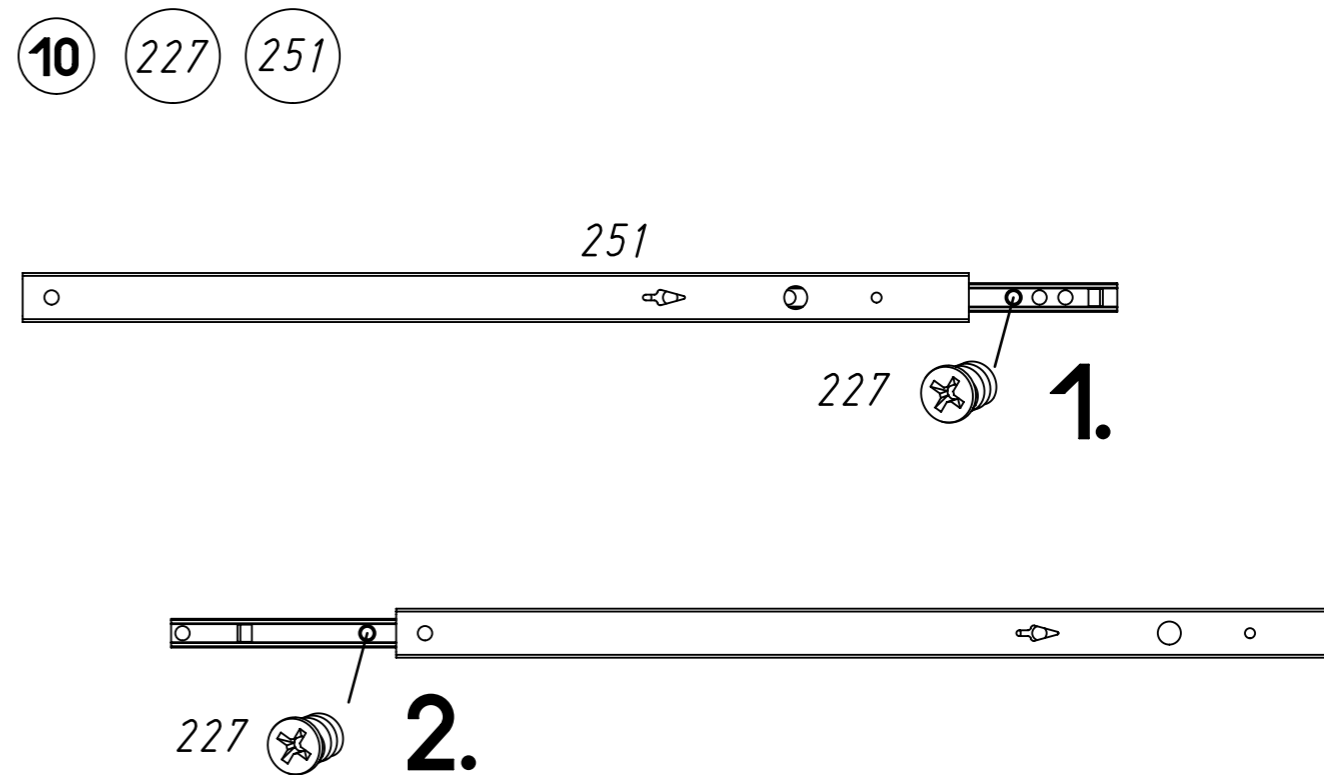
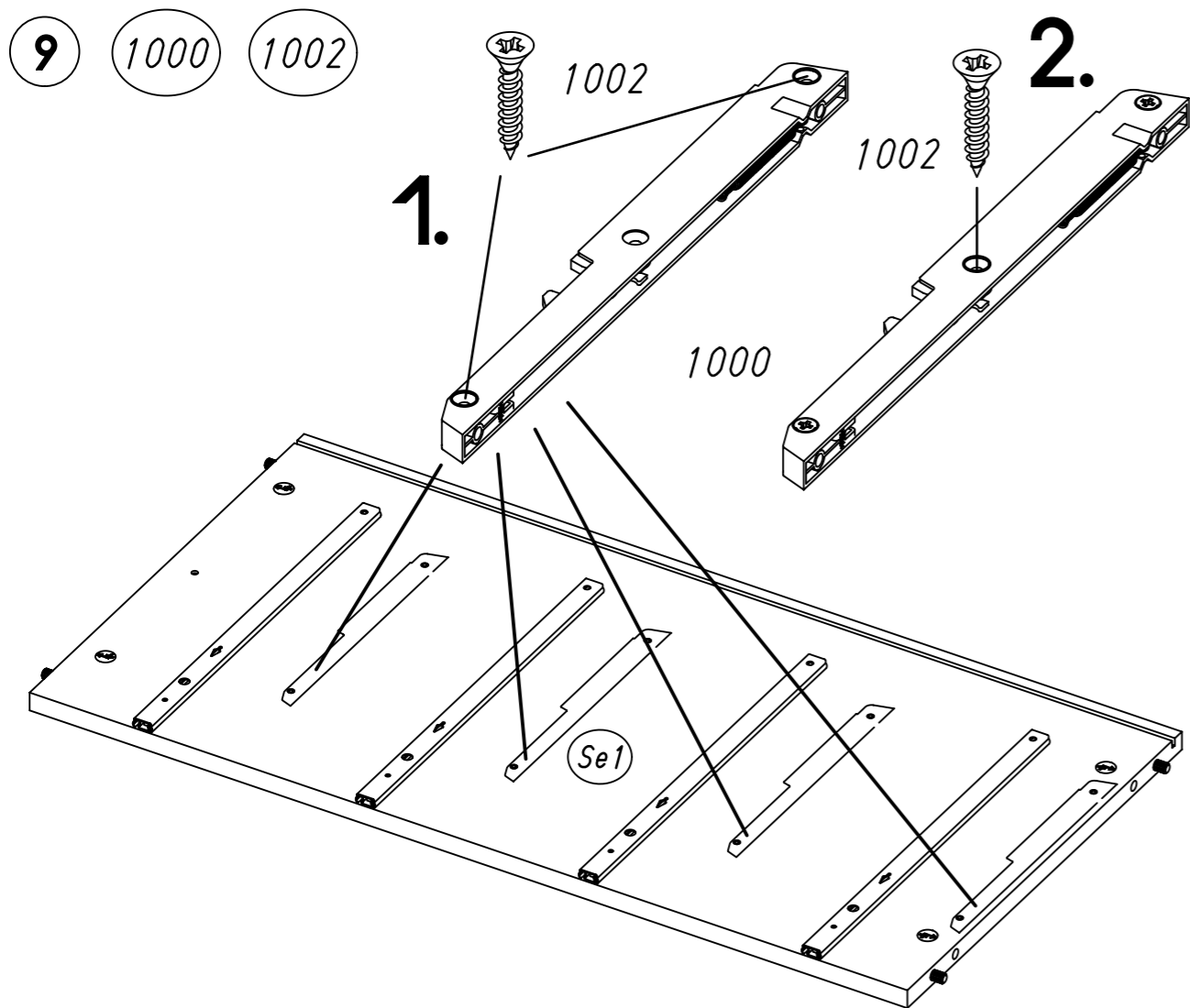
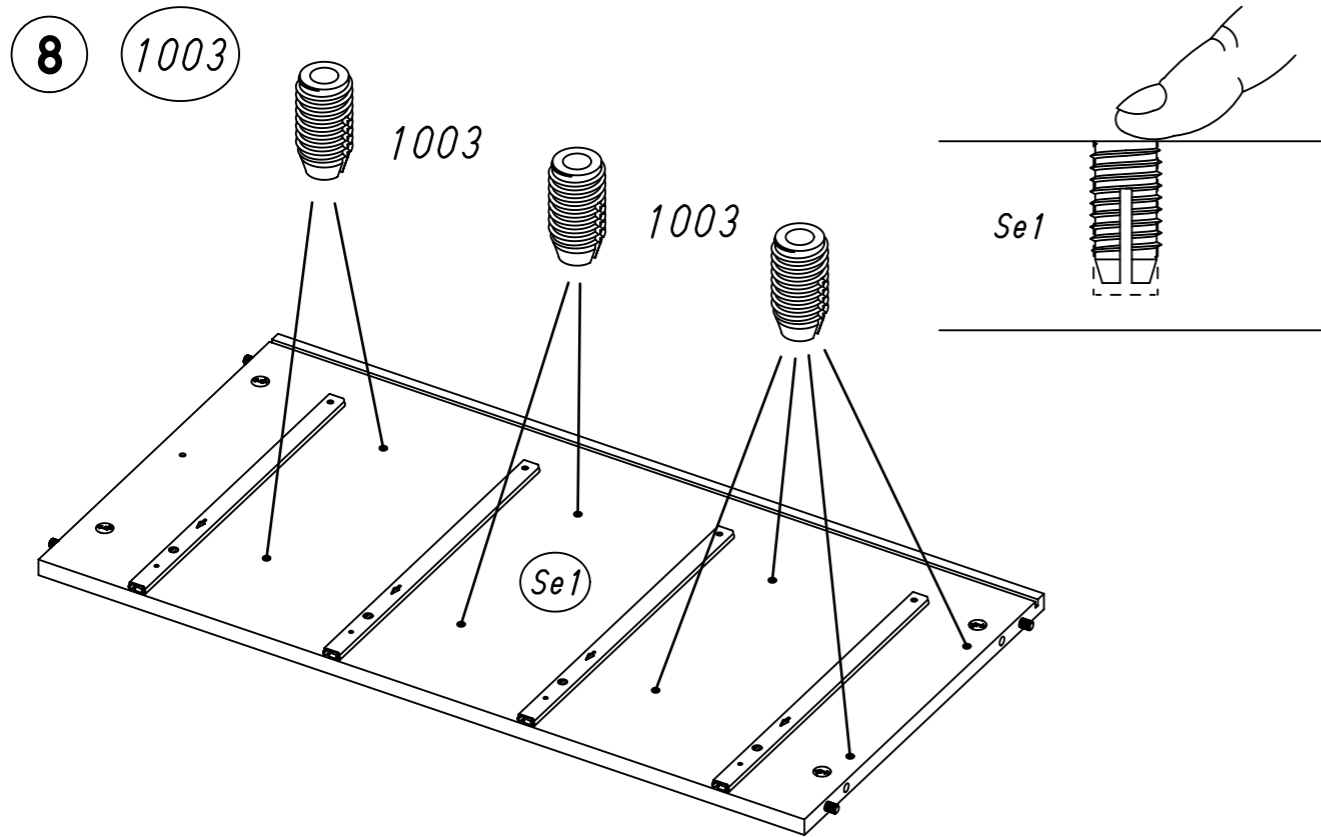
8.

7 227 251



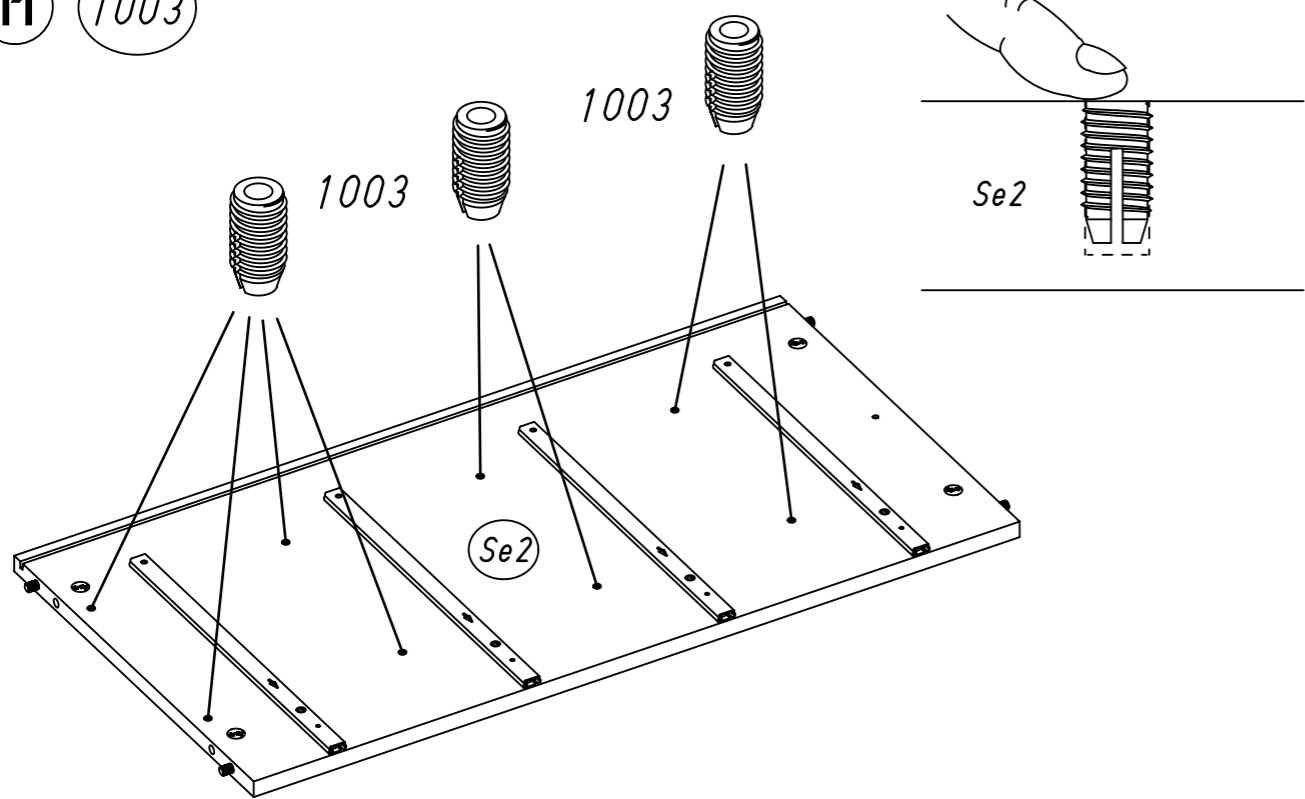
6 349





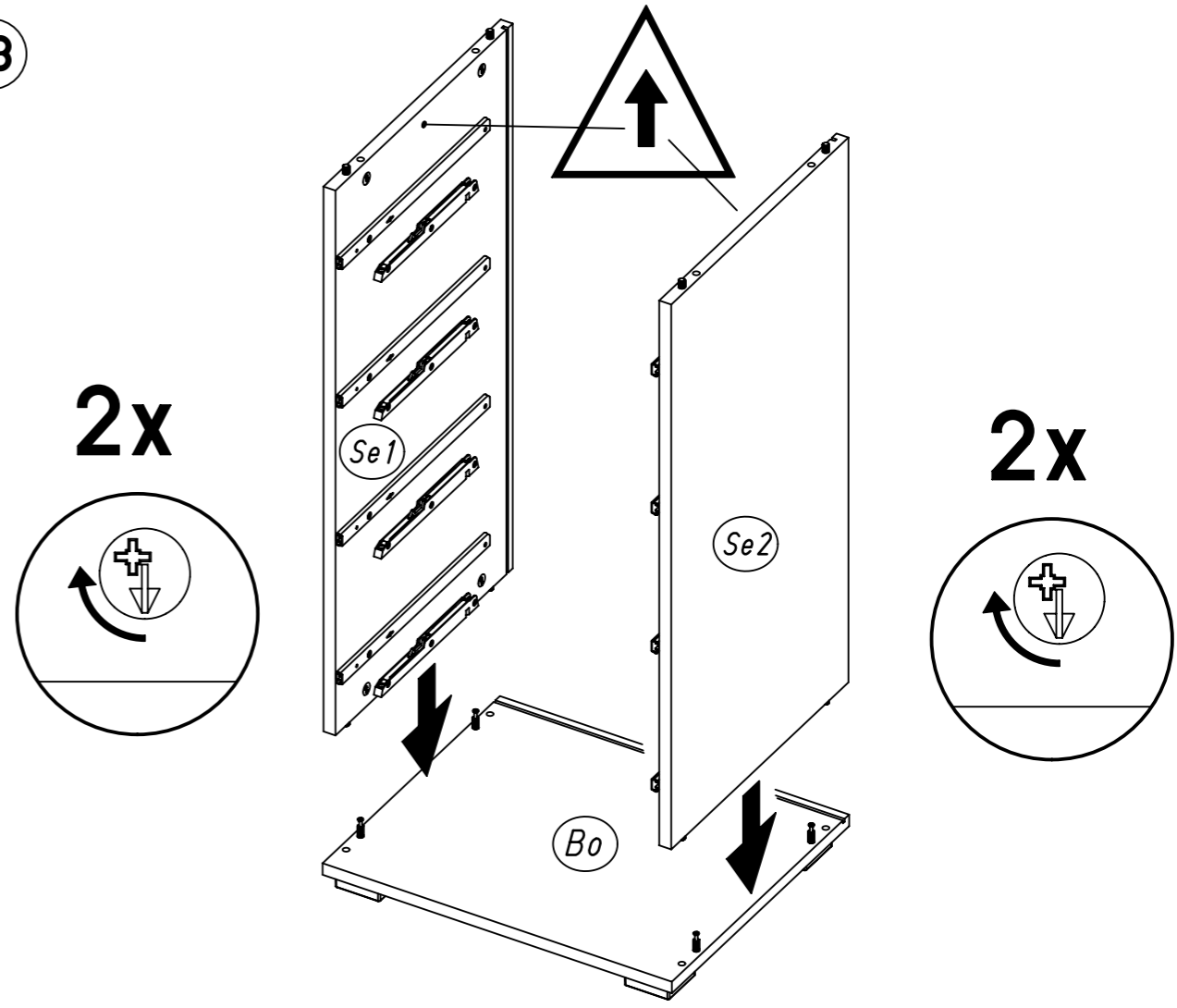
11.

11 1003

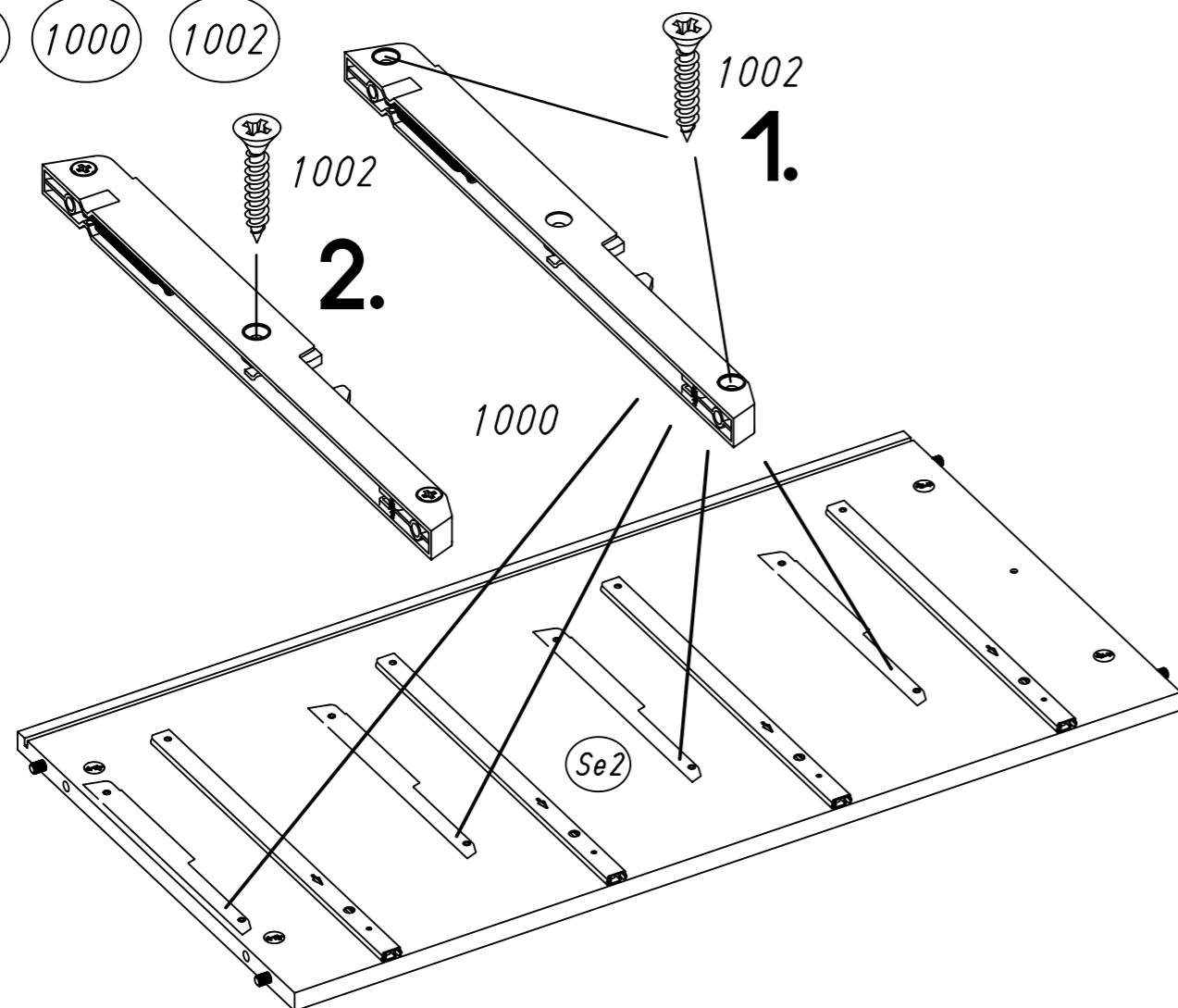


12.

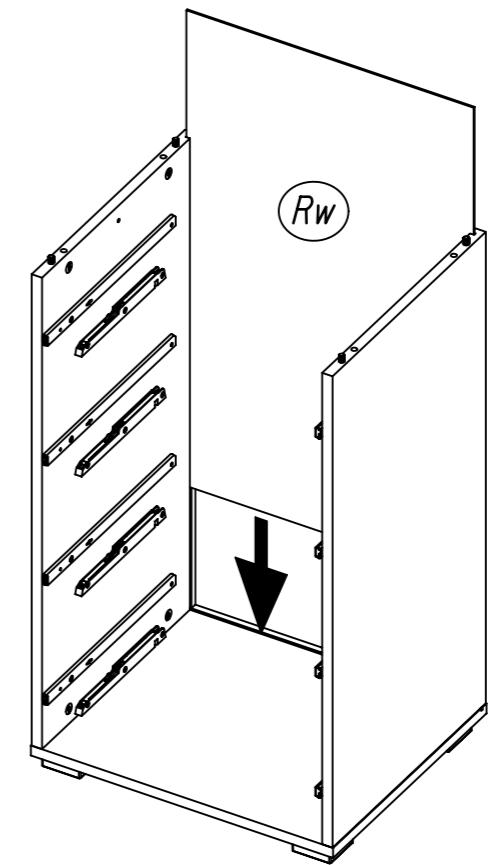
13



12 1000 1002

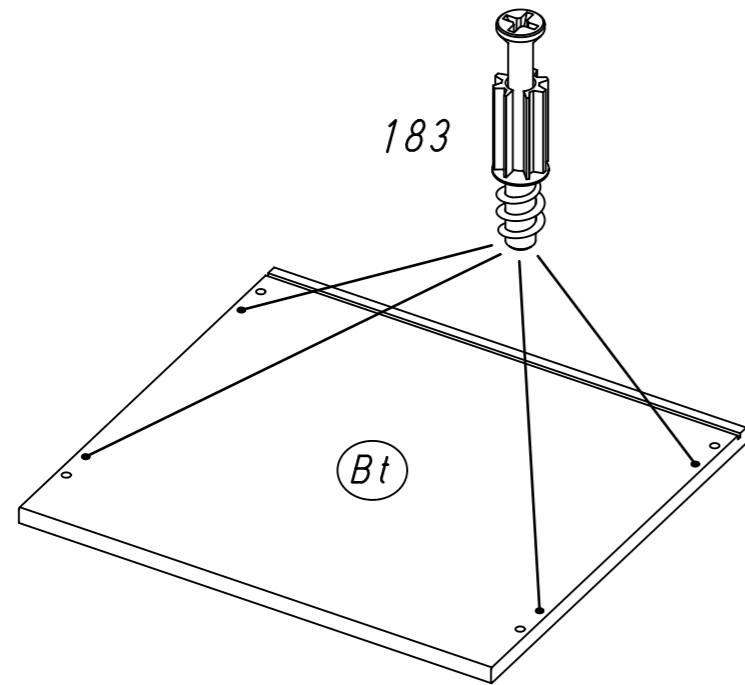


14



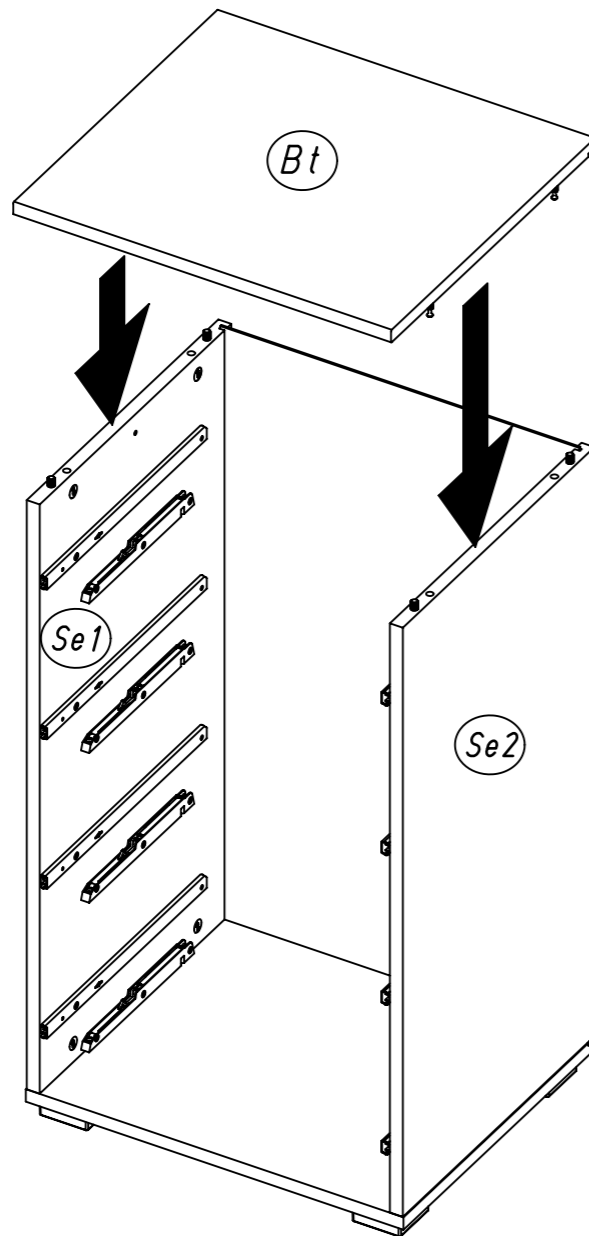
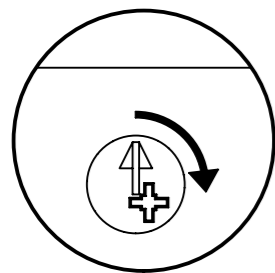
13.

15 183



16

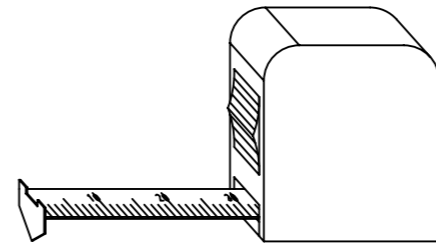
4x



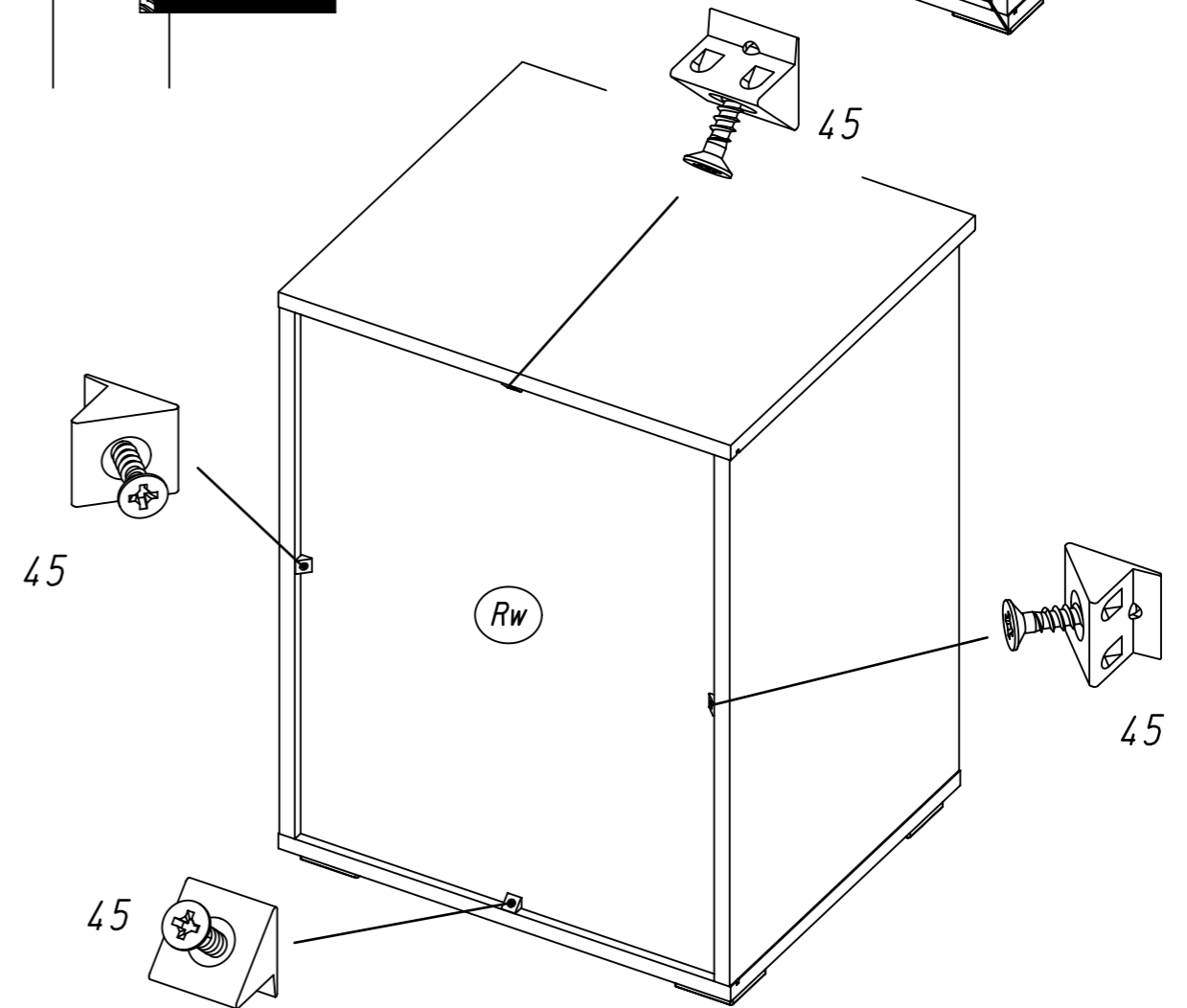
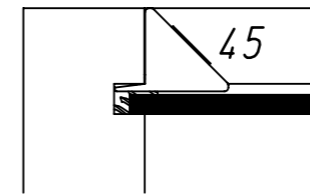
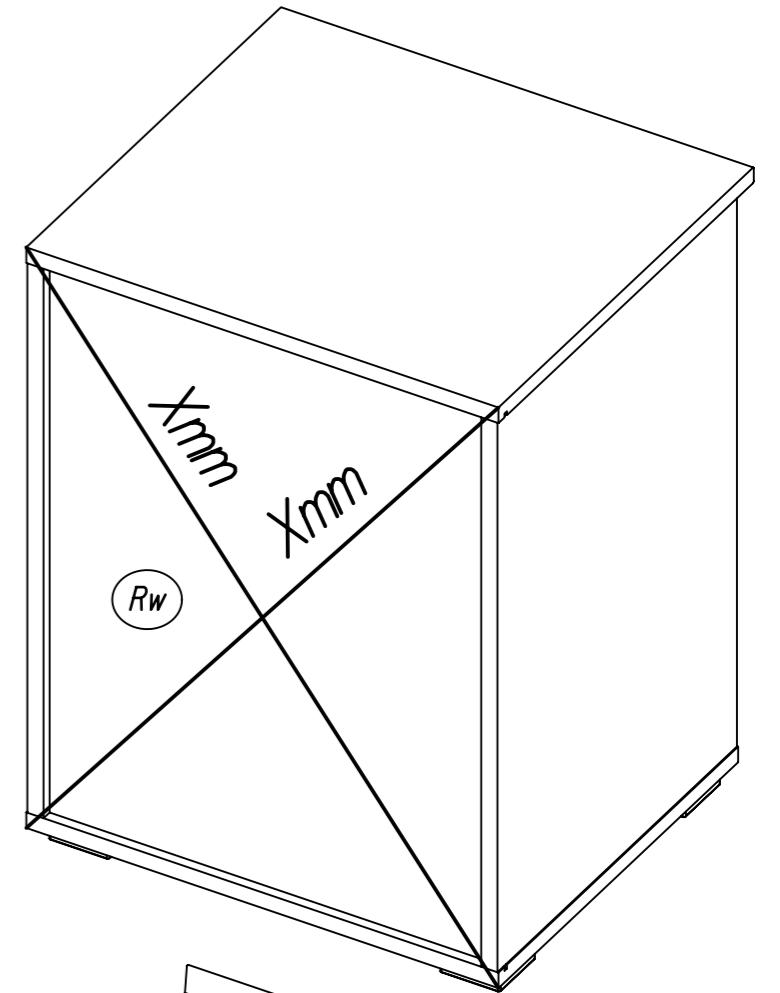
M2101

14.

17 45



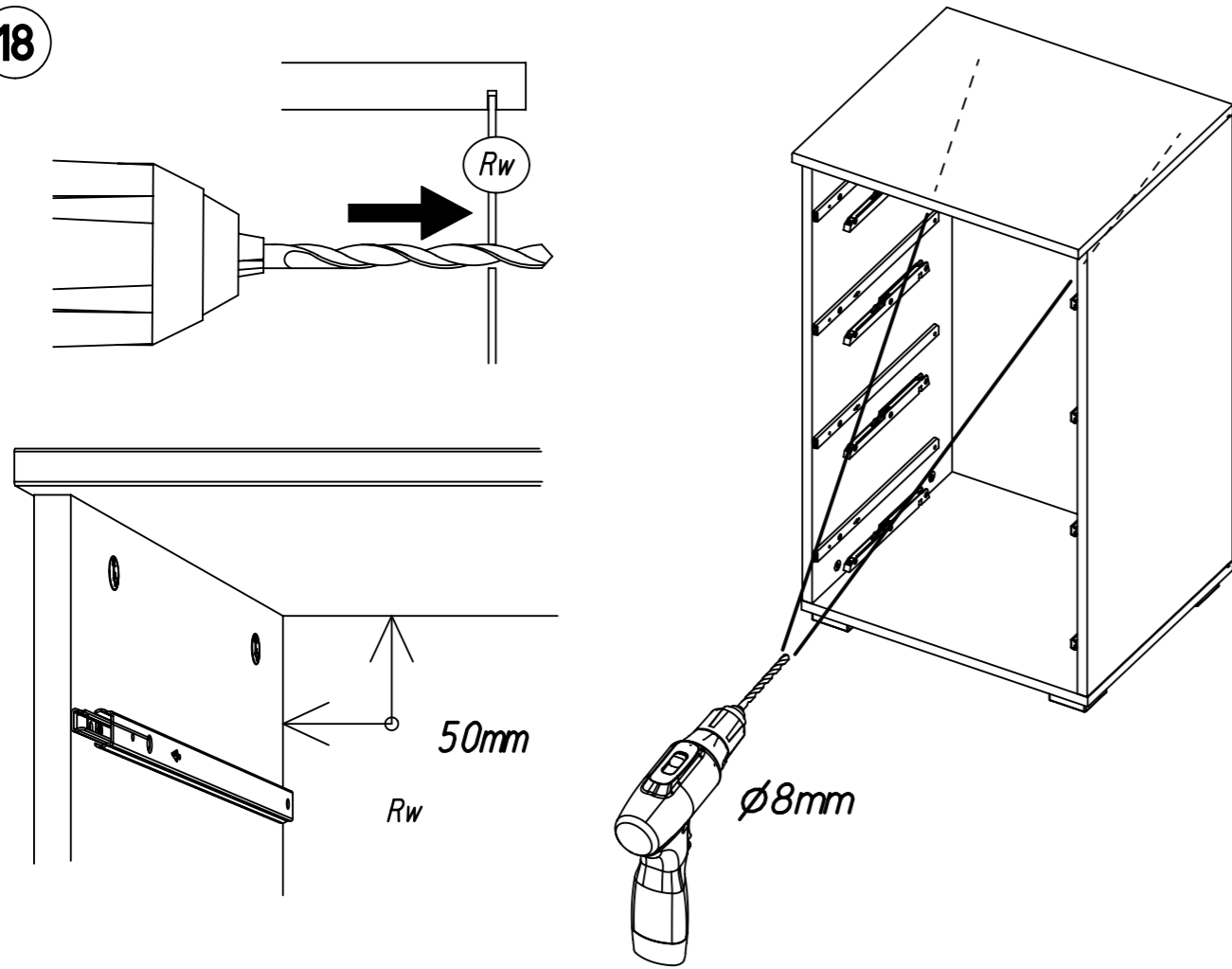
Xmm = Xmm



M2101

15.

18



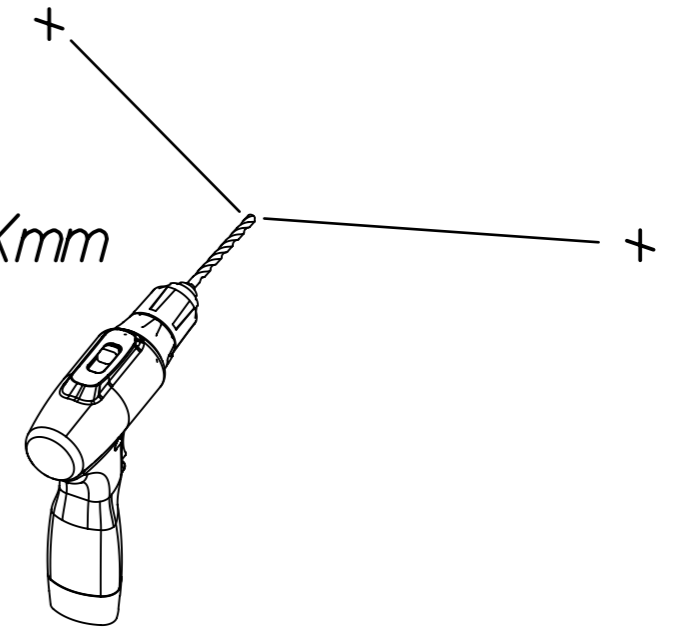
16.

20

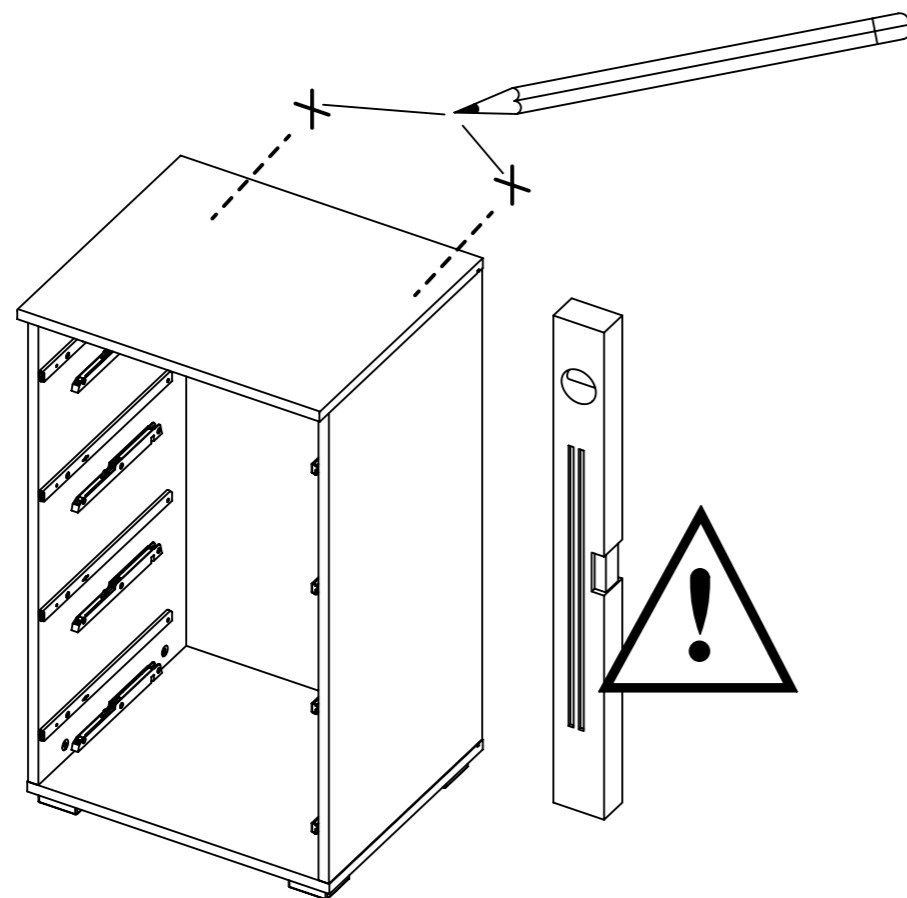
?



øXmm



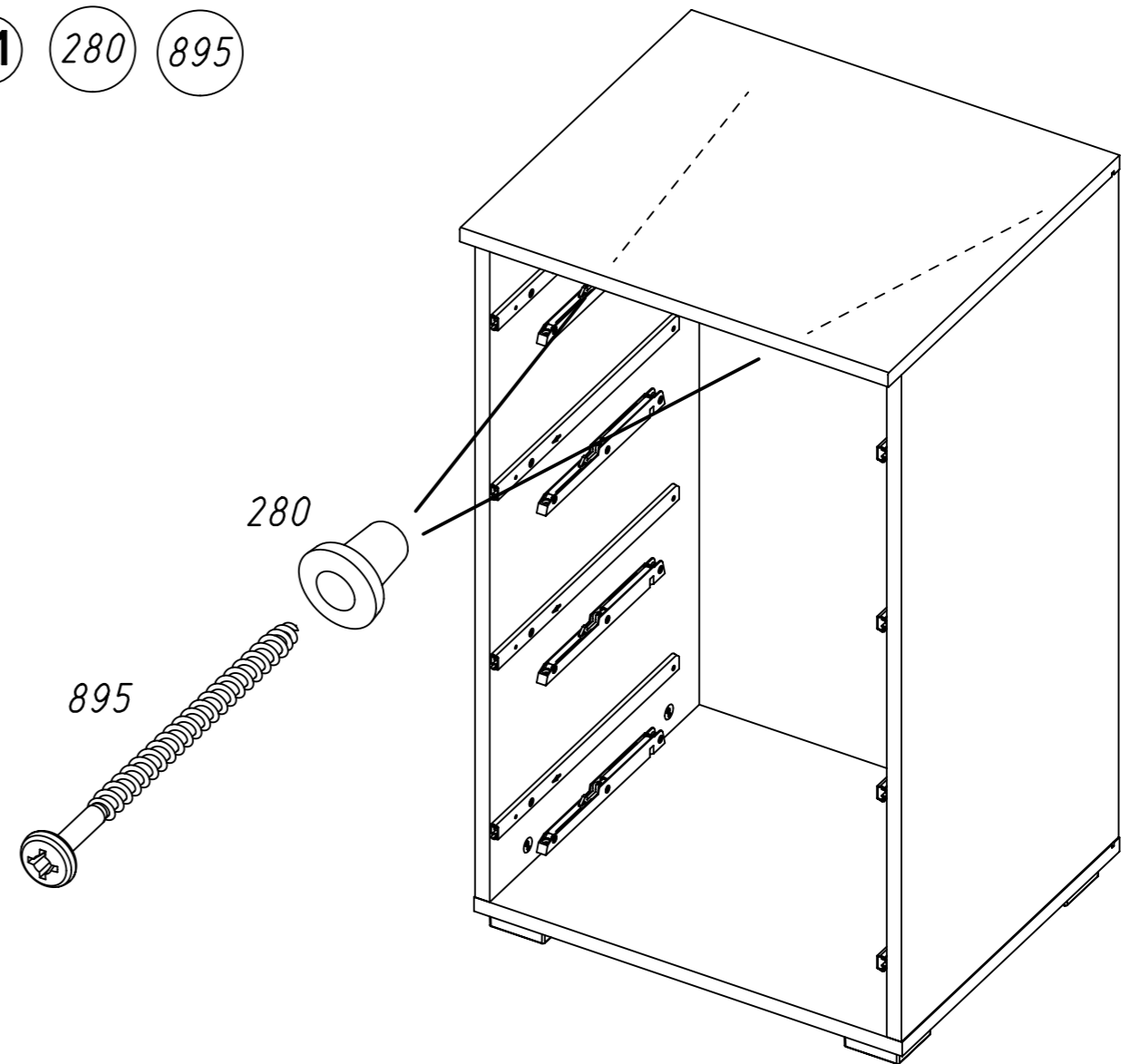
19



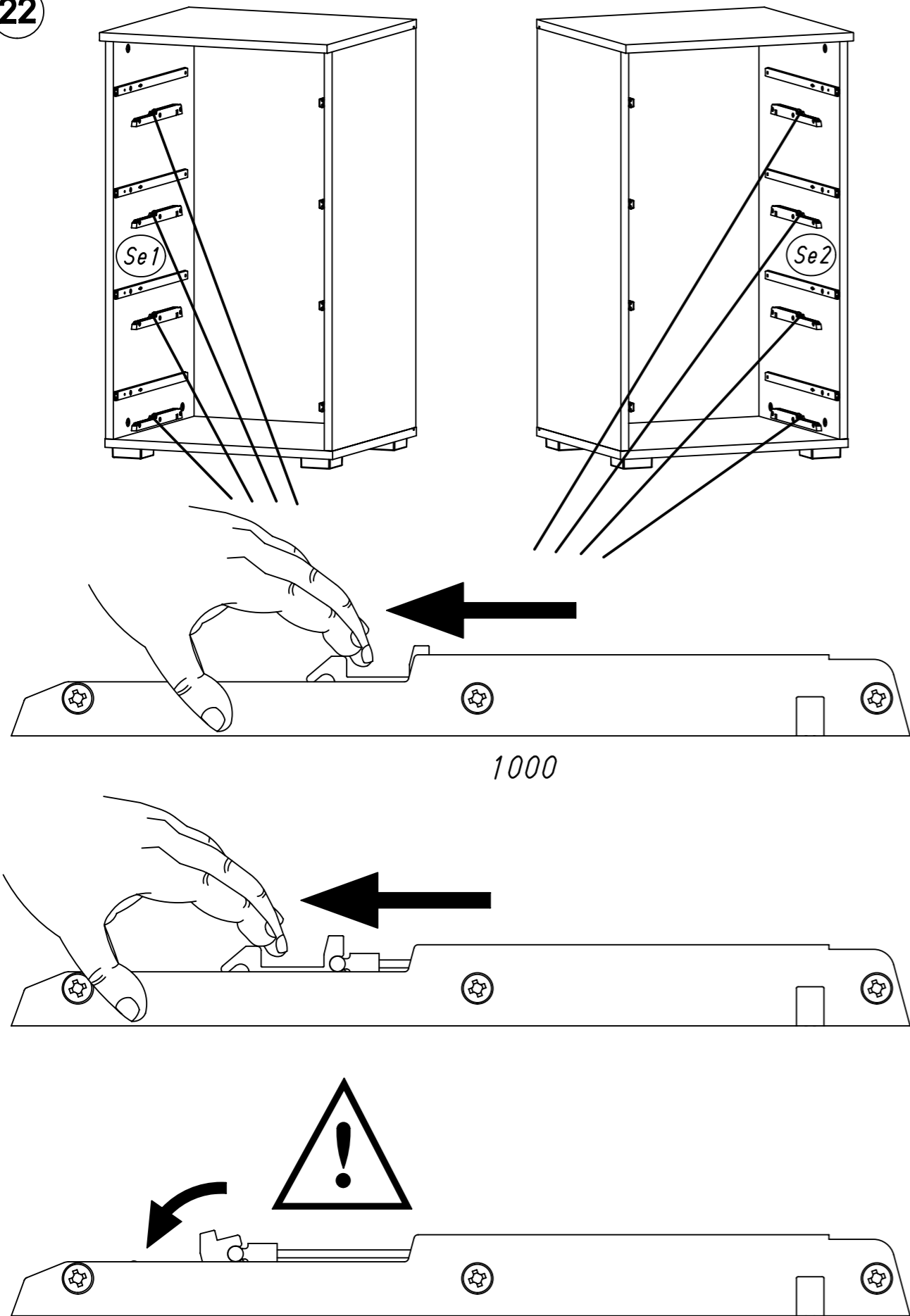
21

280

895



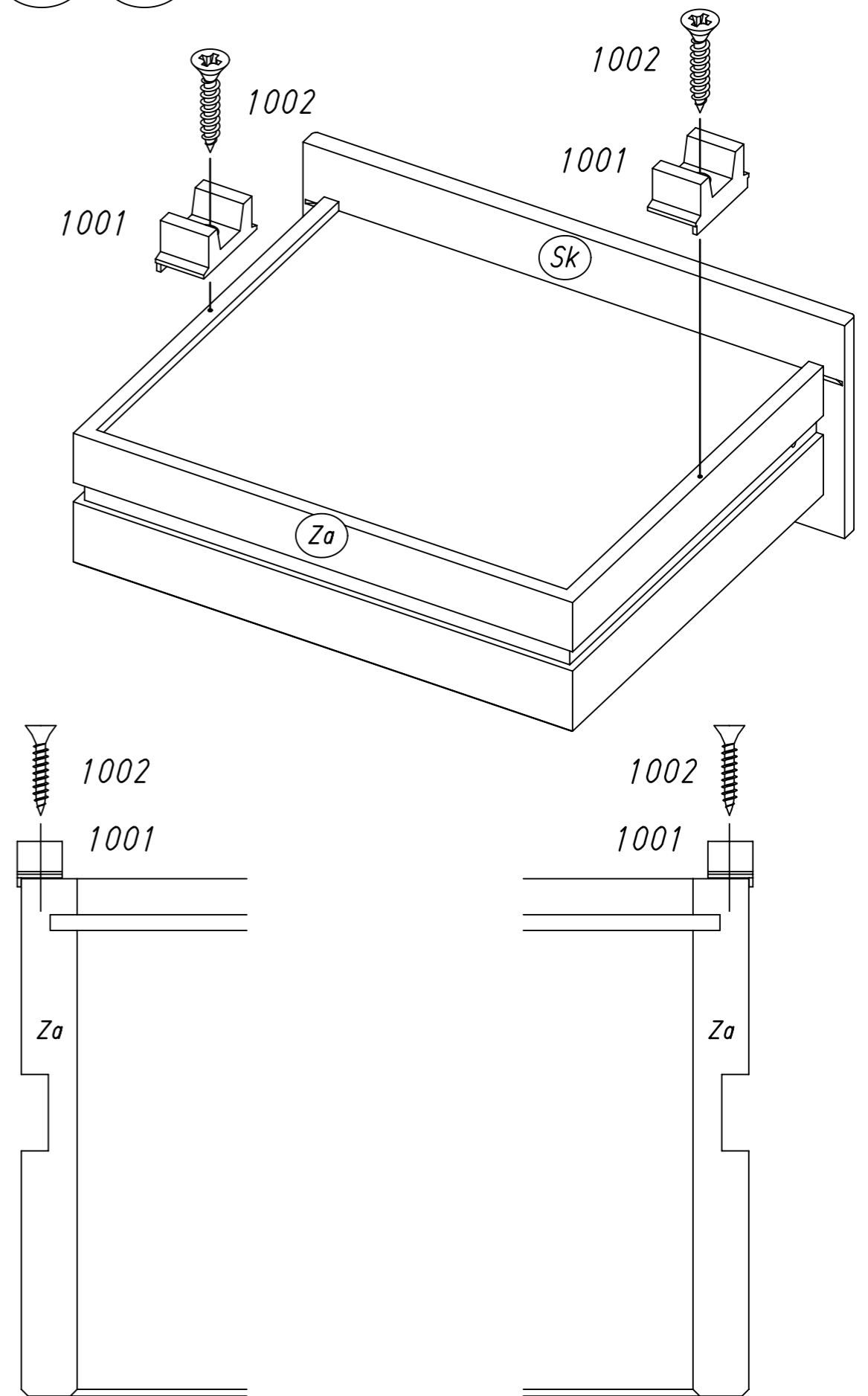
22



23

1001

1002



24 568

