

BED KEKE

22-294-07

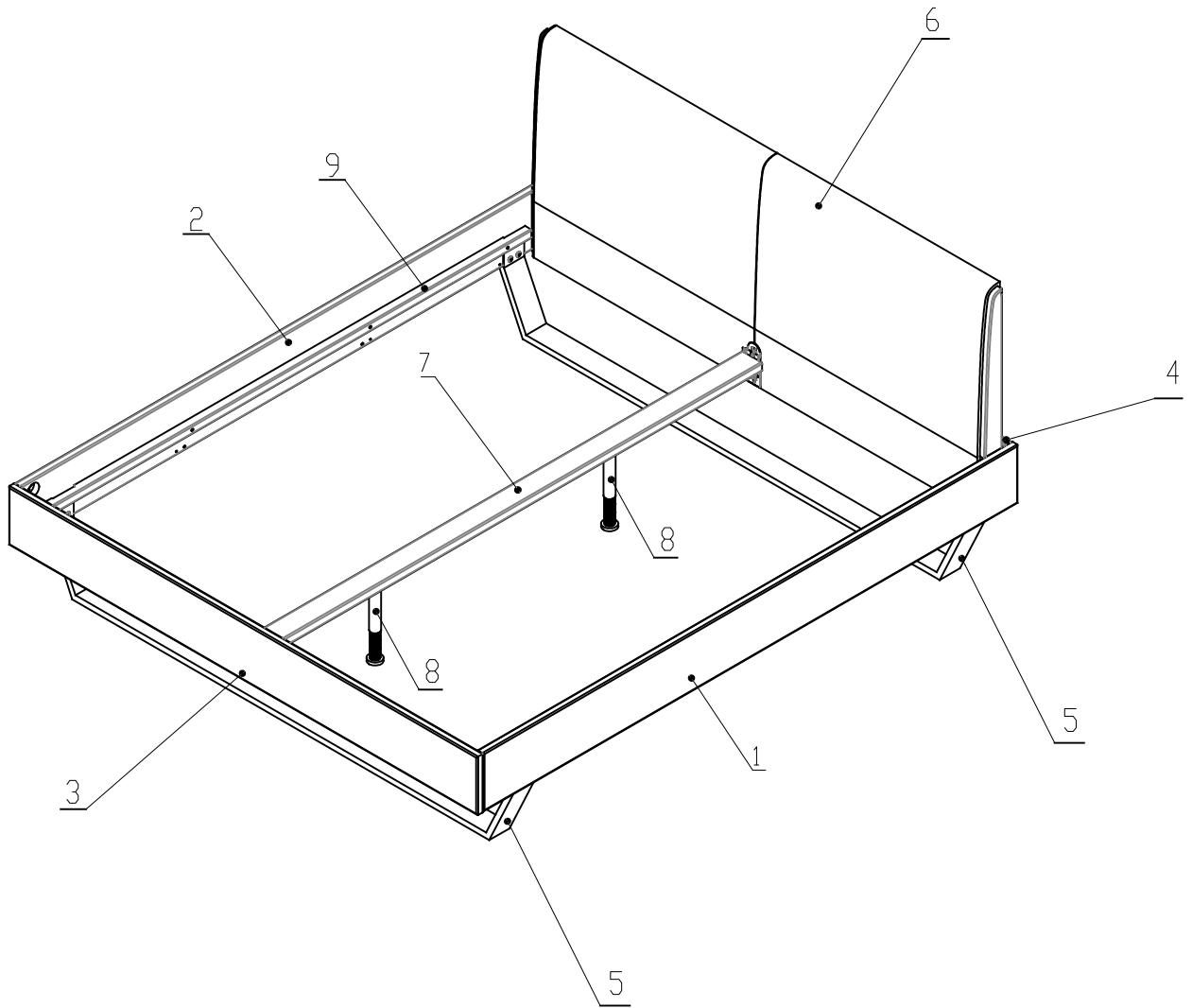
22-295-07


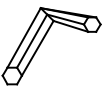
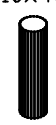


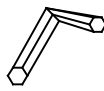



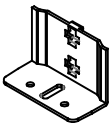

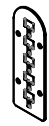

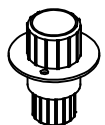
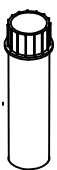

22-294-19

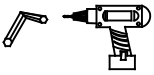
22-295-19



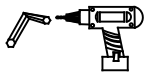
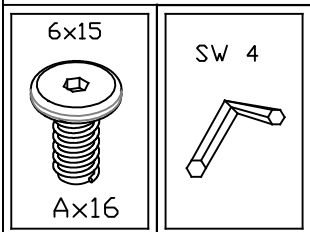
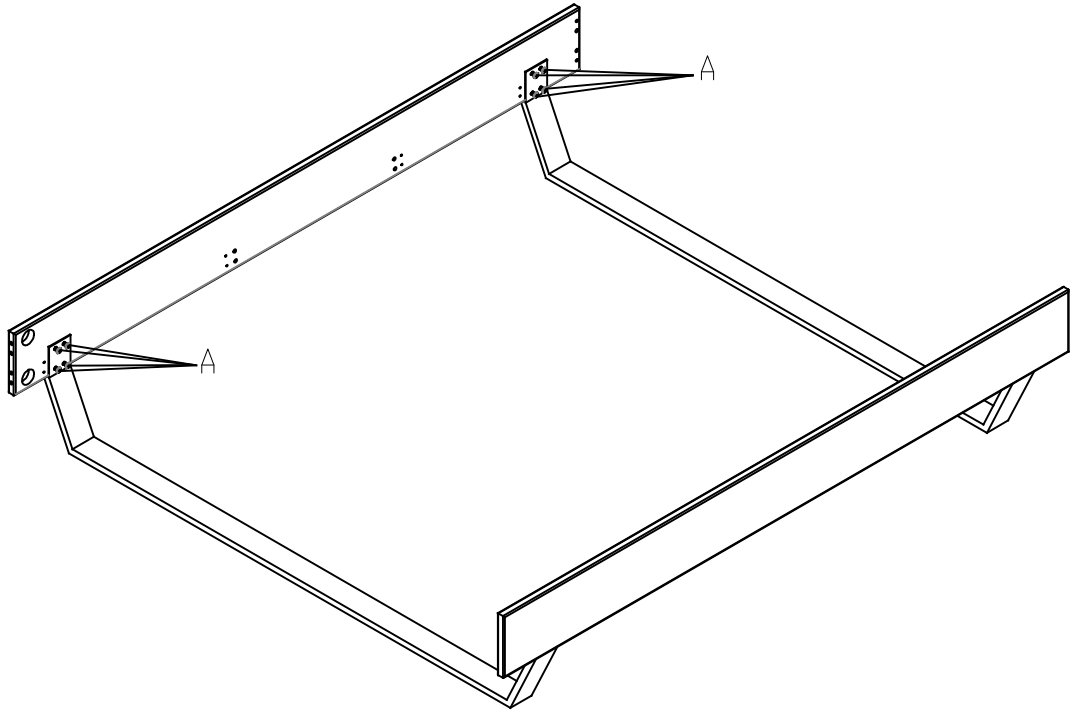
40 Minutes



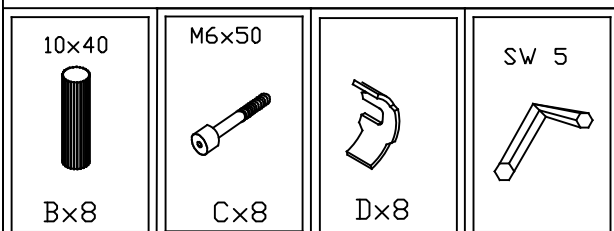
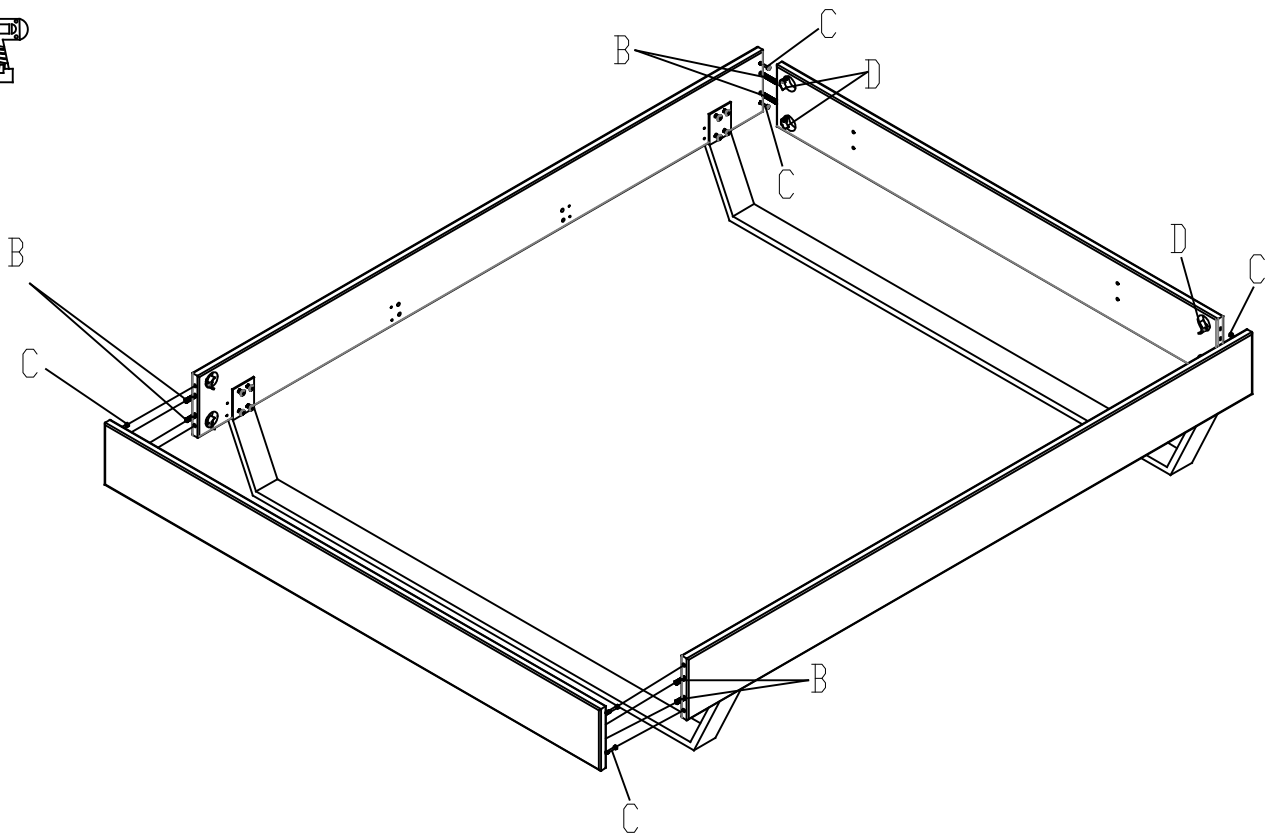
<p>6x15</p>  <p>Ax16</p>	<p>SW 4</p> 	<p>10x40</p>  <p>Bx8</p>	<p>M6x50</p>  <p>Cx8</p>	 <p>Dx8</p>	<p>SW 5</p> 	<p>M6x50</p>  <p>Ex4</p>	<p>7x50</p>  <p>Fx8</p>	<p>8x32</p>  <p>Gx4</p>	 <p>Hx2</p>
<p>3,5x16</p>  <p>Ix16</p>	 <p>Jx1</p>	 <p>Kx2</p>	 <p>Lx2</p>	 <p>Mx2</p>	 <p>Nx2</p>				



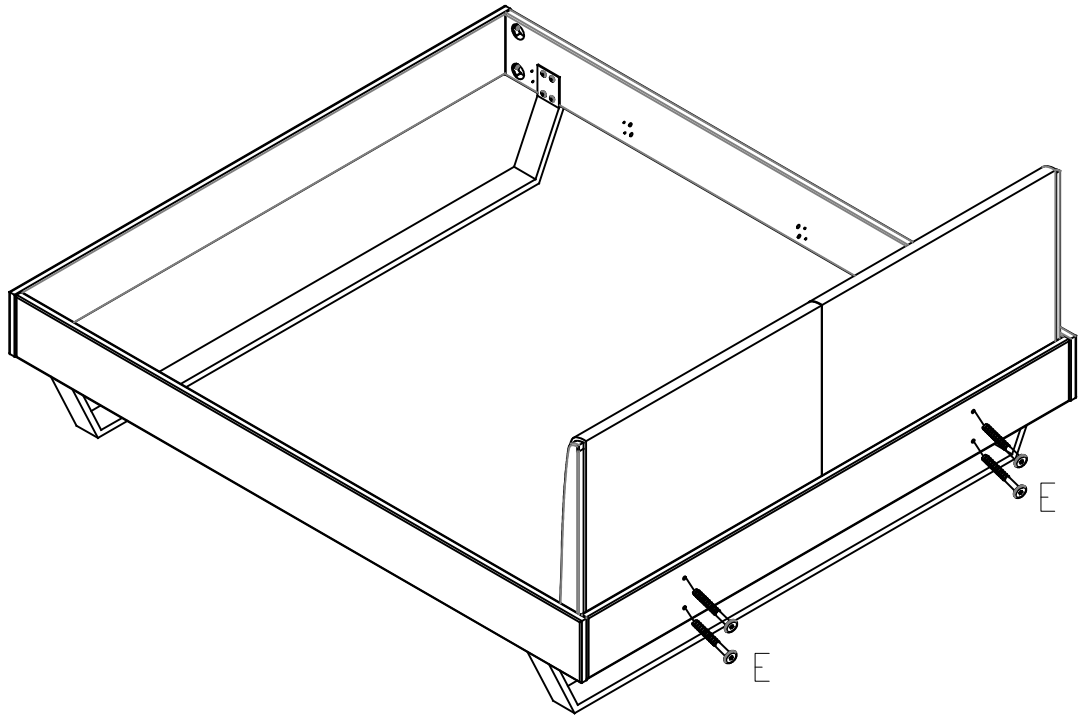
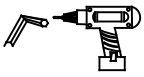
1.



2.



3.

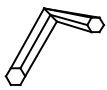


M6x50

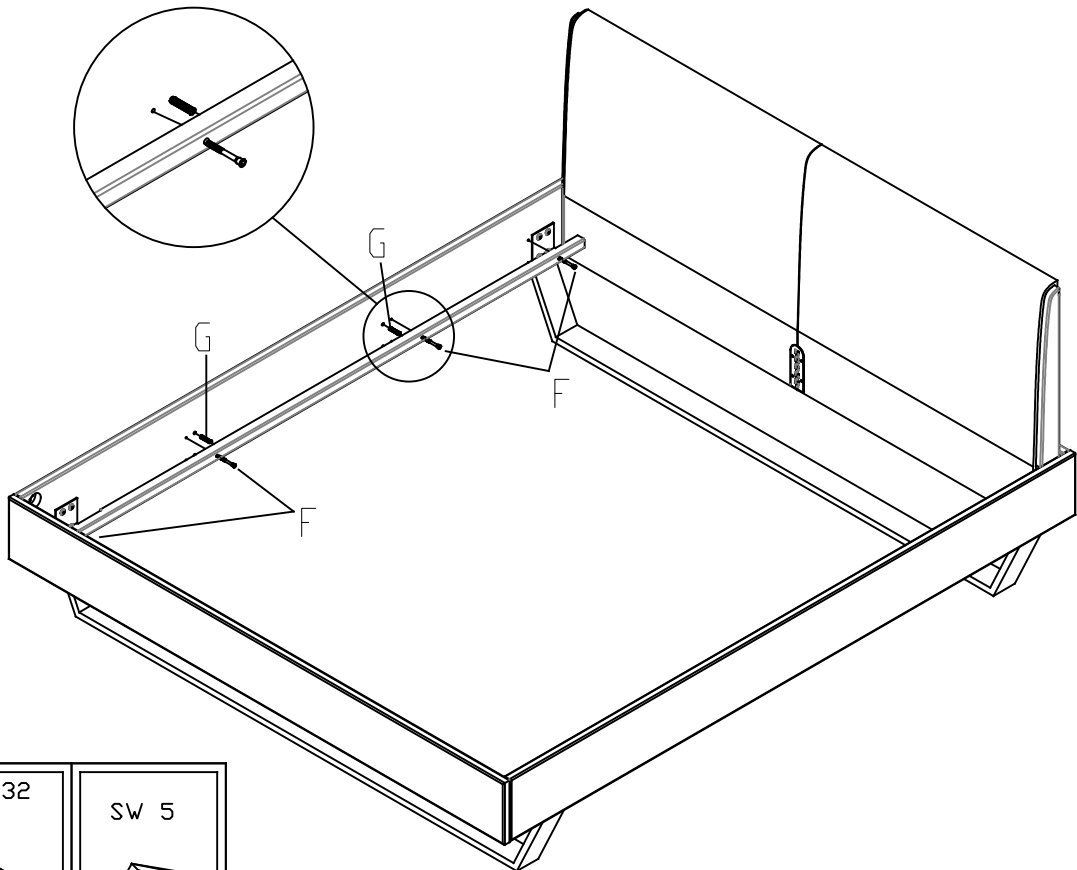
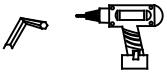


E x 4

SW 4



4.

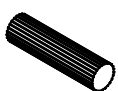


7x50



F x 8

8x32



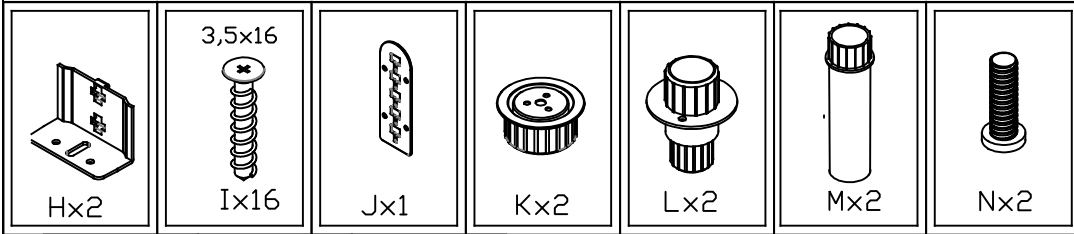
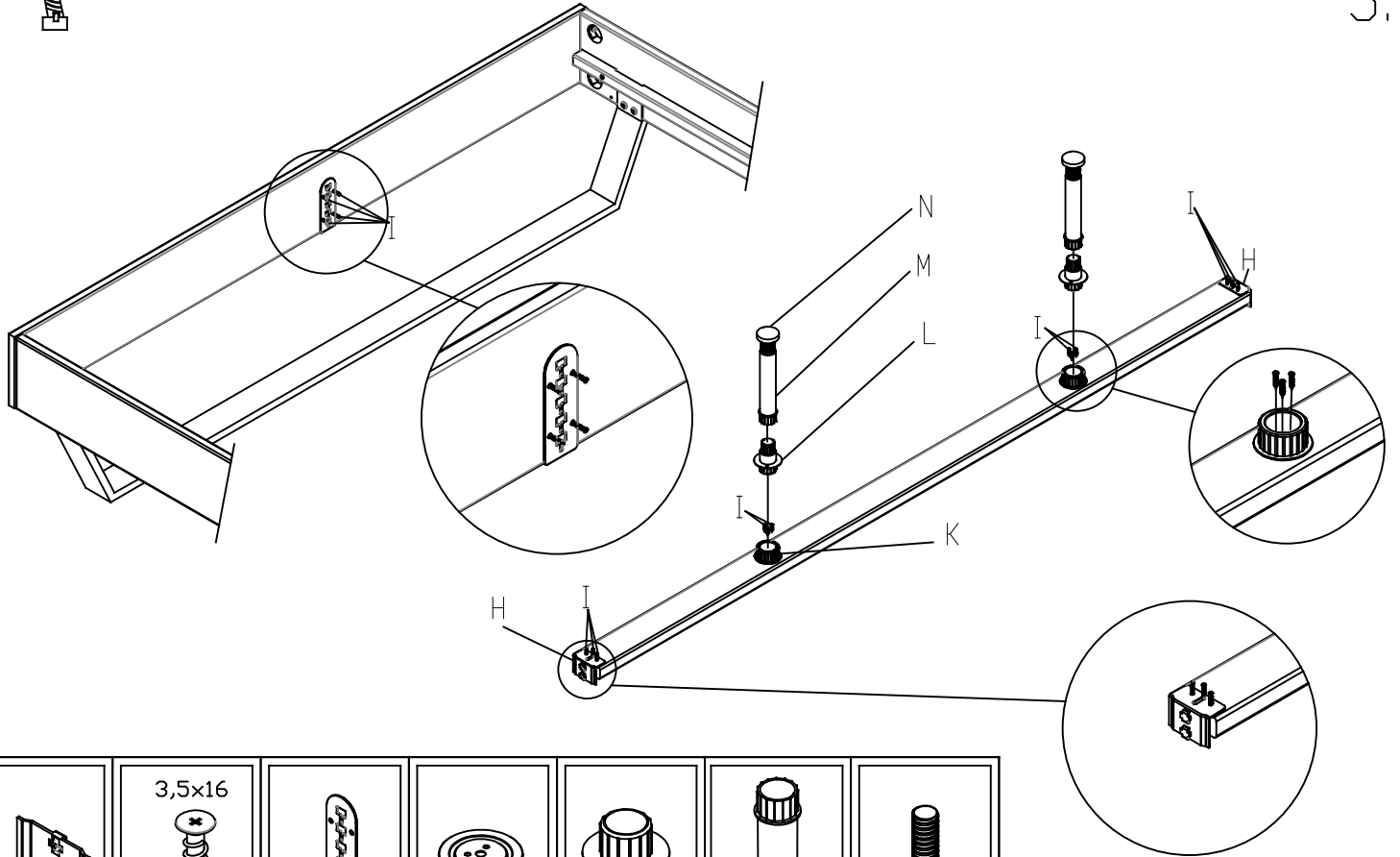
G x 4

SW 5





5.



6.

