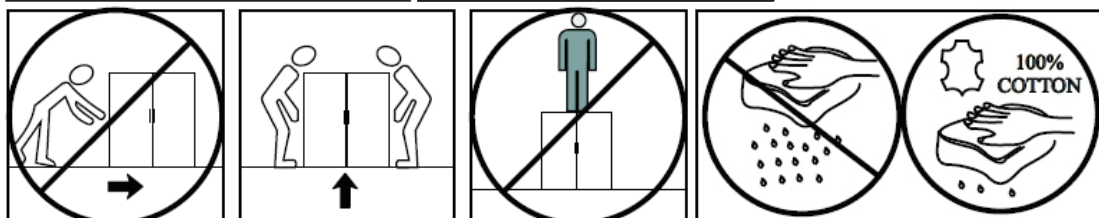
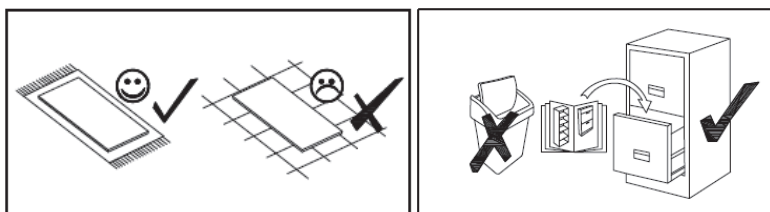
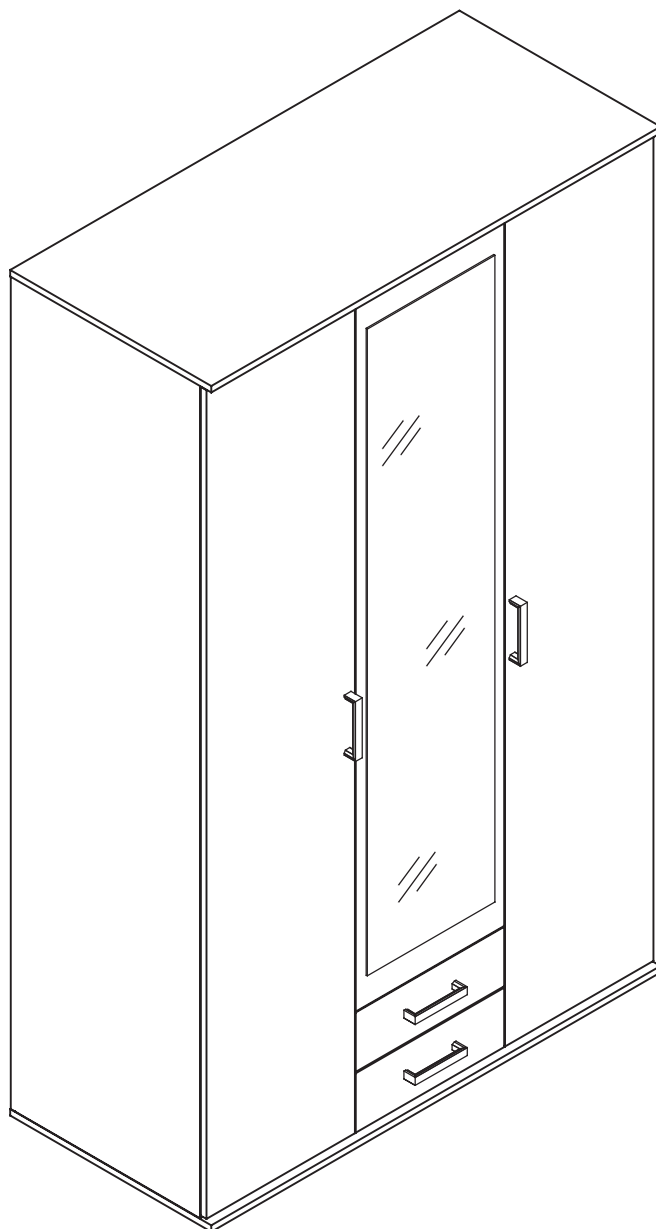
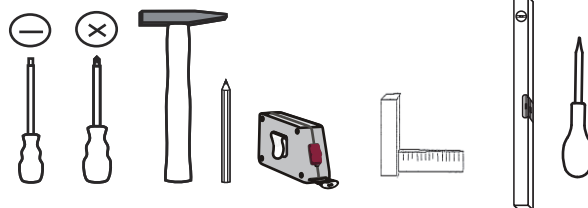
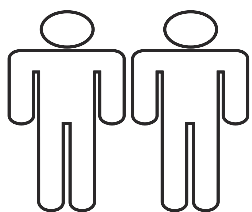


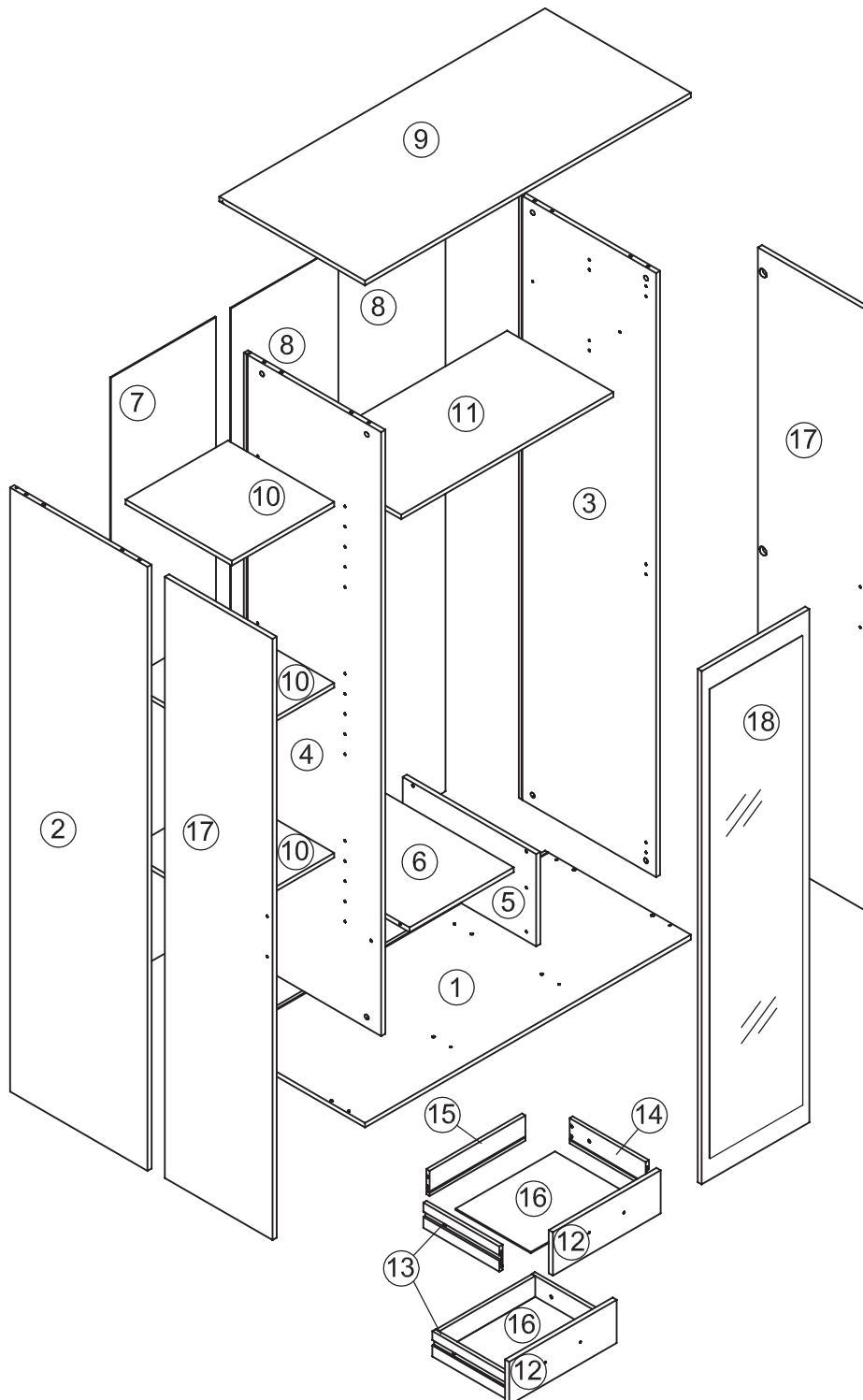
# LAURIE KLS 3-trg. 2SK

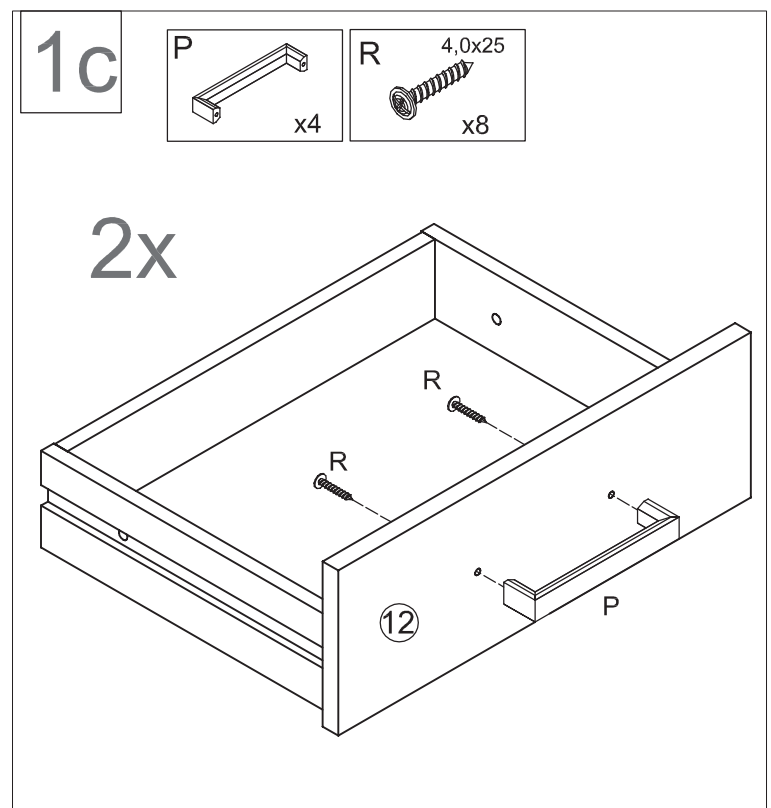
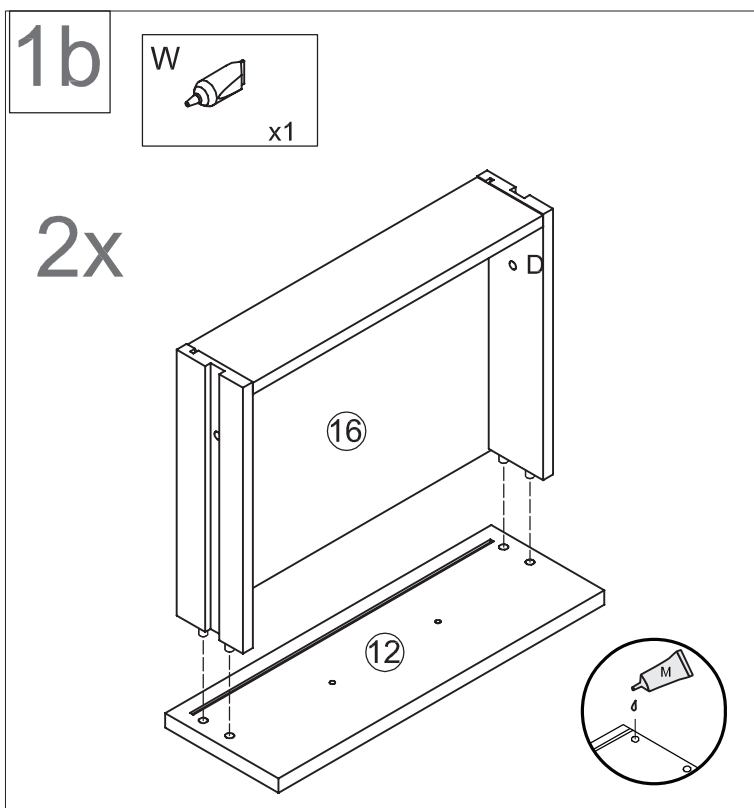
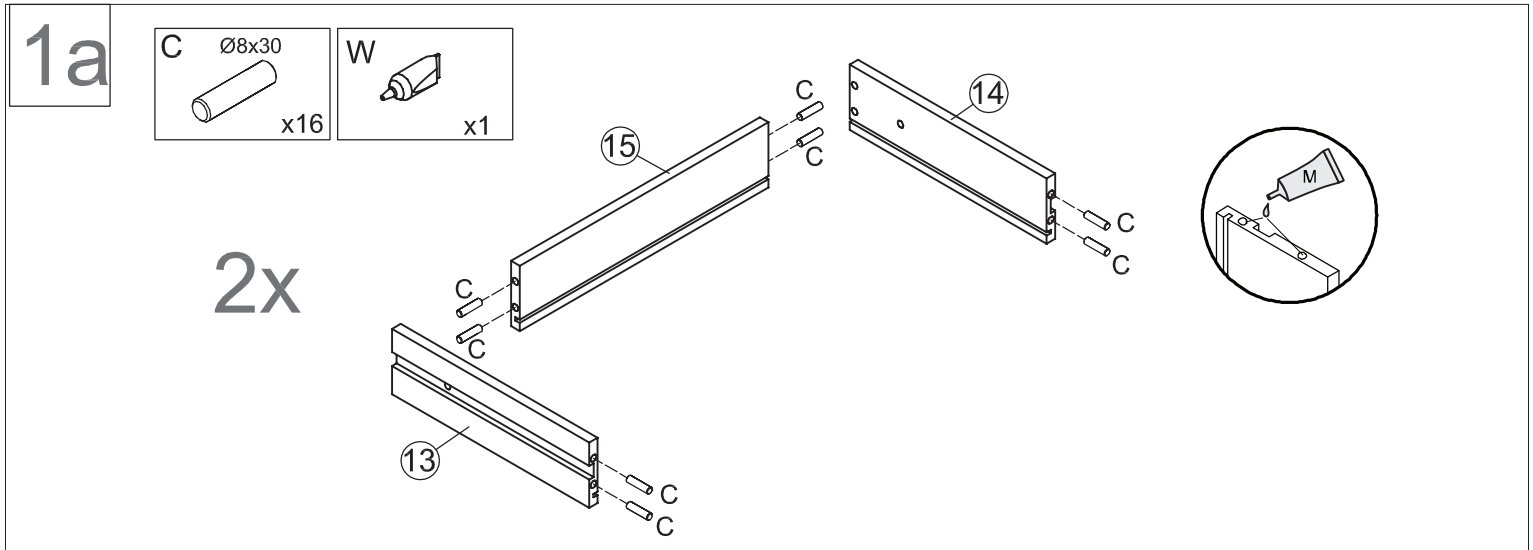
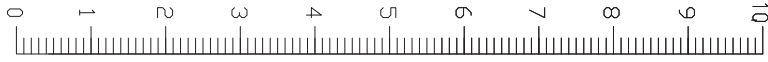
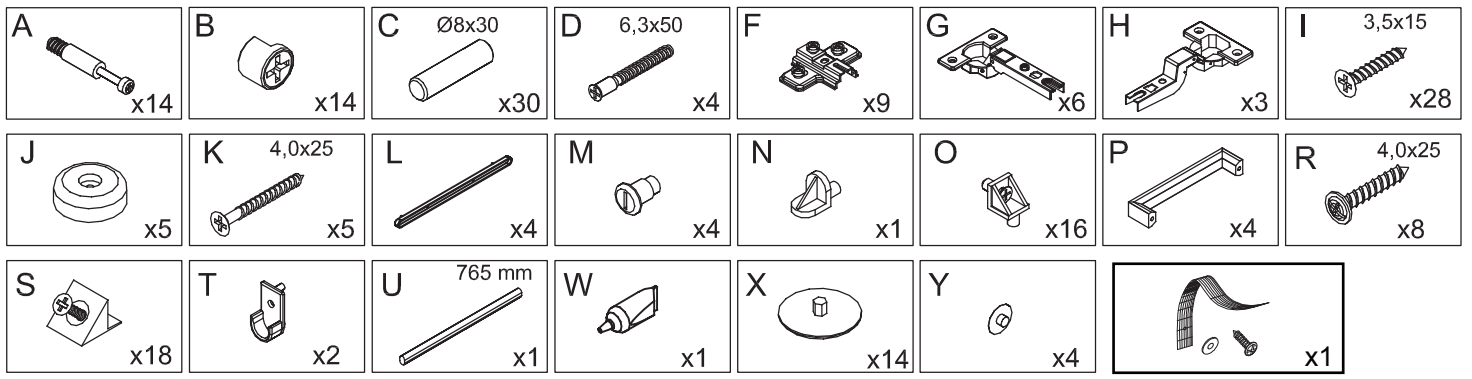
58-995-T3-9



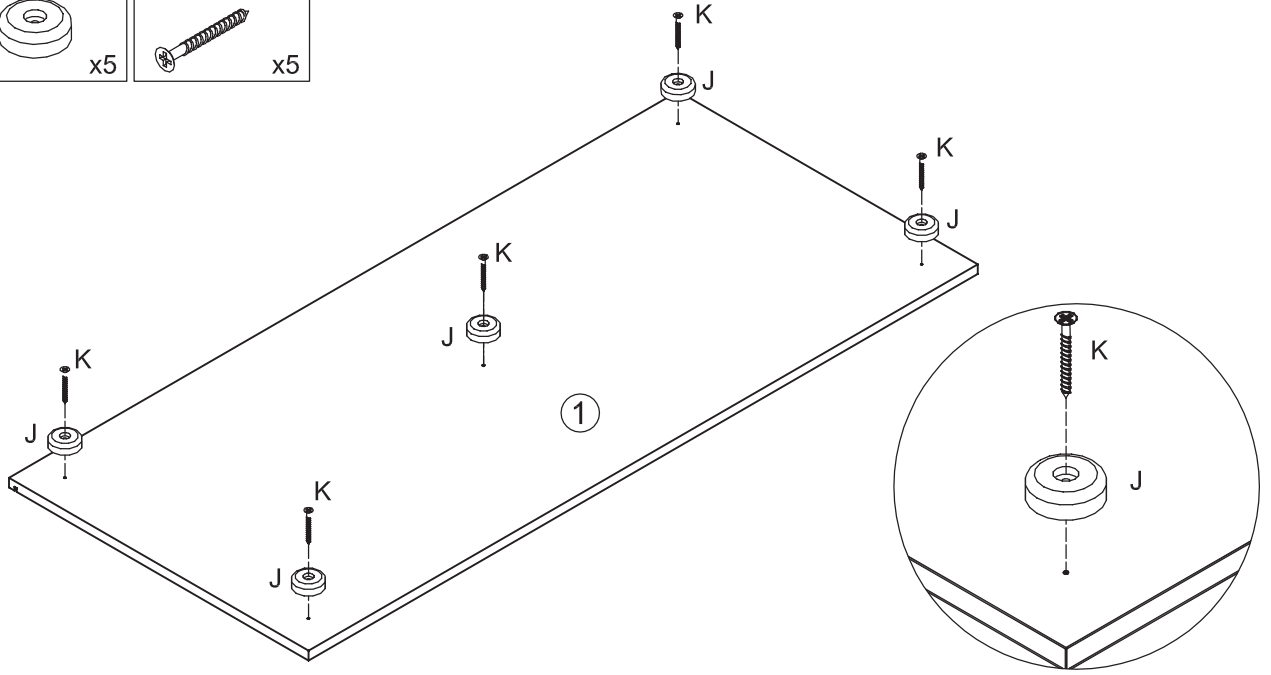
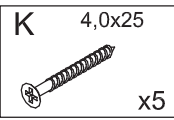
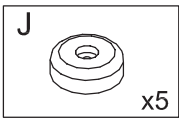
1	x1	ca. 1196 x 535 x 15	1/2
2	x1	ca. 1918 x 504 x 15	1/2
3	x1	ca. 1918 x 504 x 15	1/2
4	x1	ca. 1918 x 504 x 15	1/2
5	x1	ca. 293 x 490 x 15	1/2
6	x1	ca. 381 x 489 x 15	1/2
7	x1	ca. 1927 x 385 x 3	2/2
8	x2	ca. 1927 x 391 x 3	2/2
9	x1	ca. 1196 x 535 x 15	1/2

10	x3	ca. 375 x 390 x 15	2/2
11	x1	ca. 773 x 390 x 15	2/2
12	x2	ca. 395 x 137 x 15	2/2
13	x2	ca. 279 x 80 x 12	2/2
14	x2	ca. 279 x 80 x 12	2/2
15	x2	ca. 352 x 80 x 12	2/2
16	x2	ca. 361 x 276 x 3	2/2
17	x1	ca. 1909 x 395 x 15	2/2
18	x1	ca. 1630 x 395 x 15	2/2

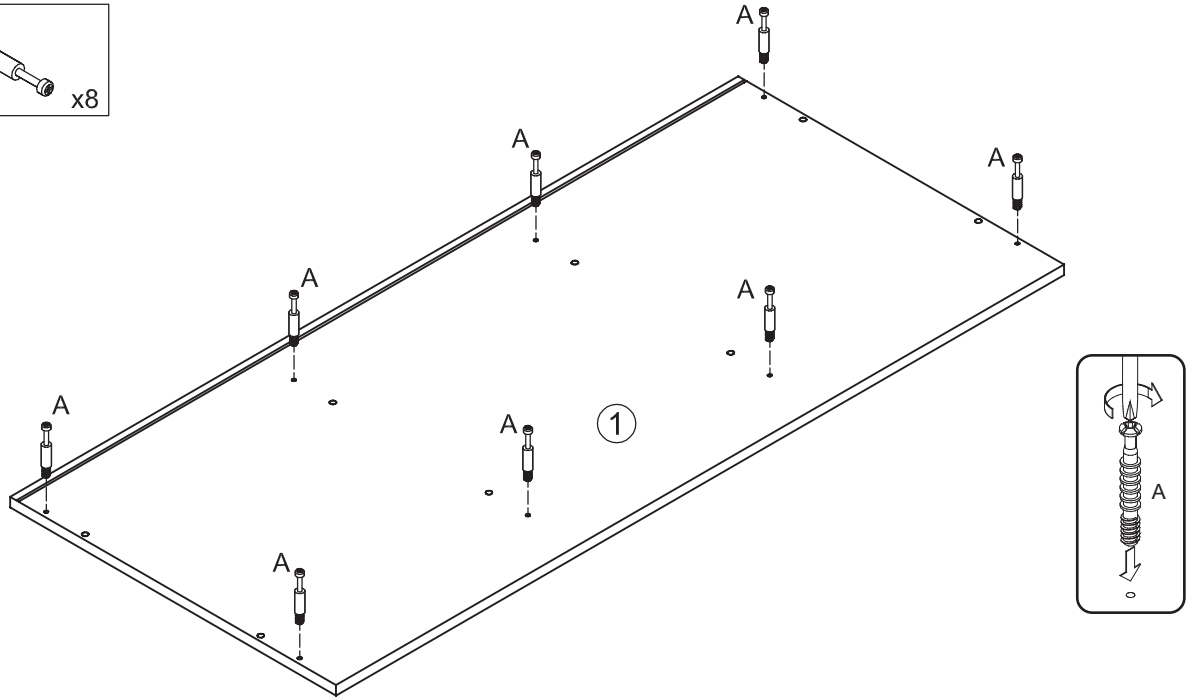
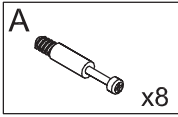




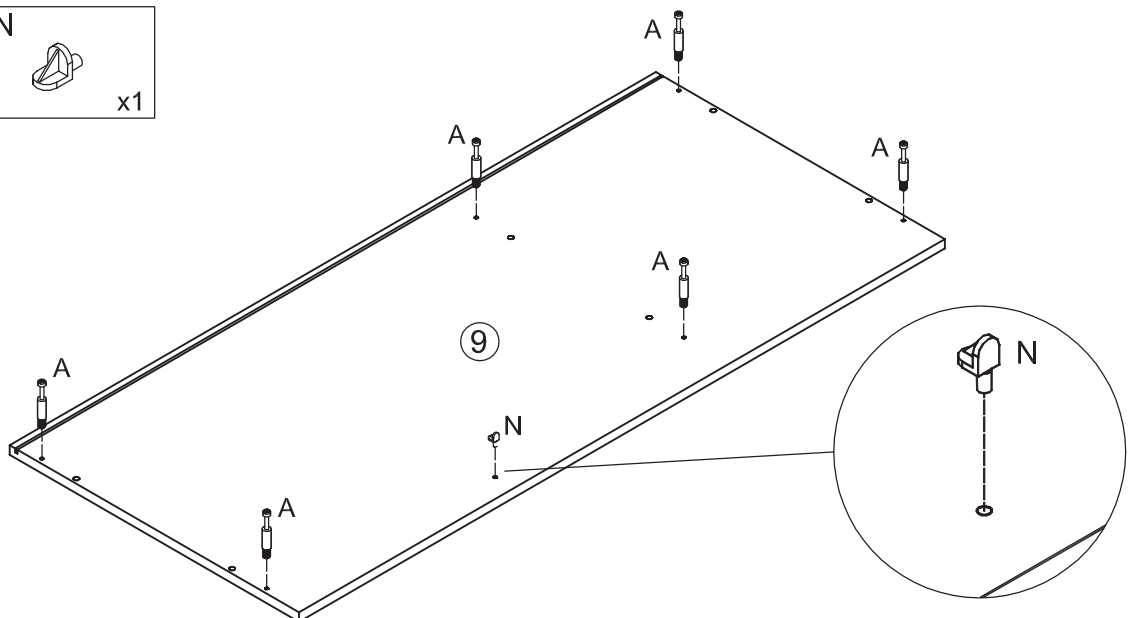
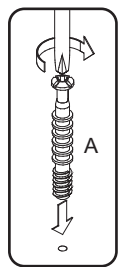
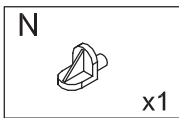
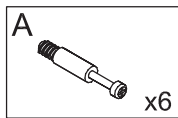
2



3

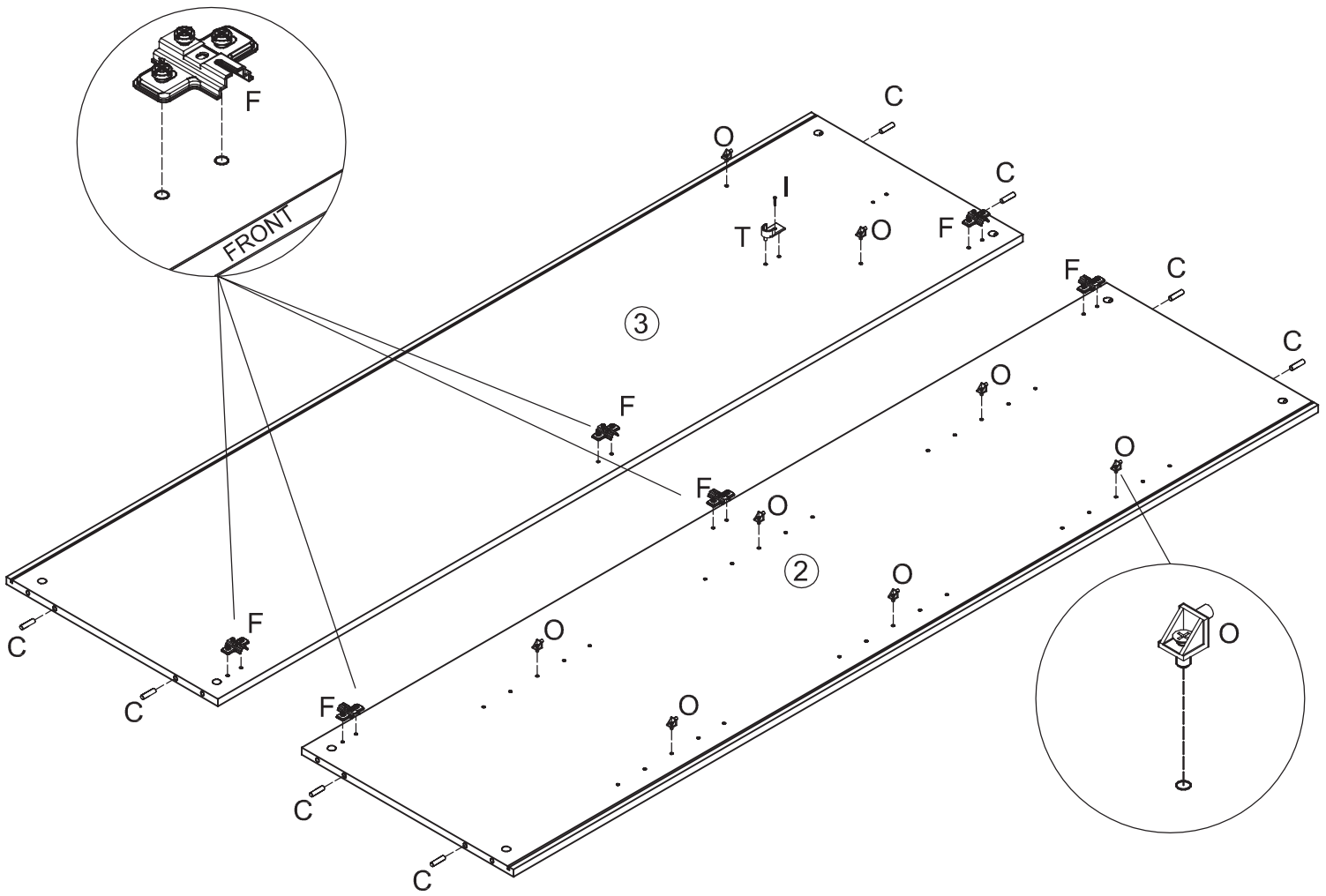


4



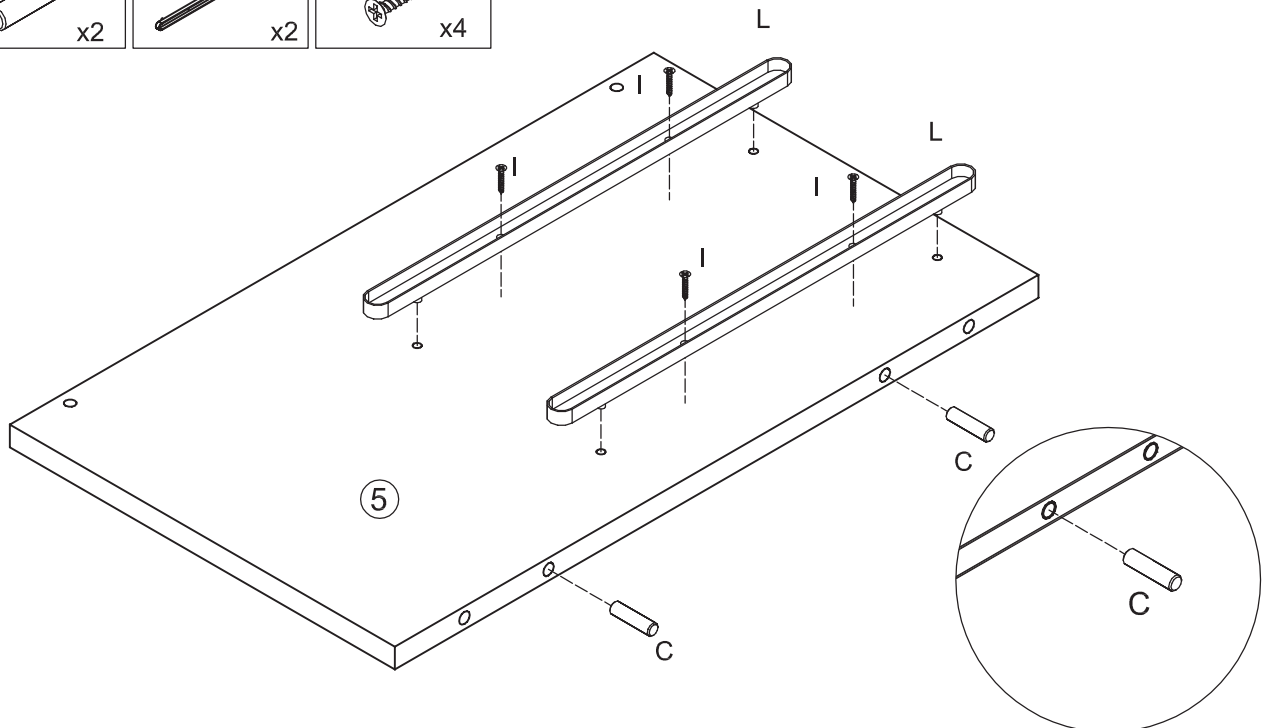
5

- C Ø8x30 x8
- F x6
- O x8
- T x1
- I 3,5x15 x1

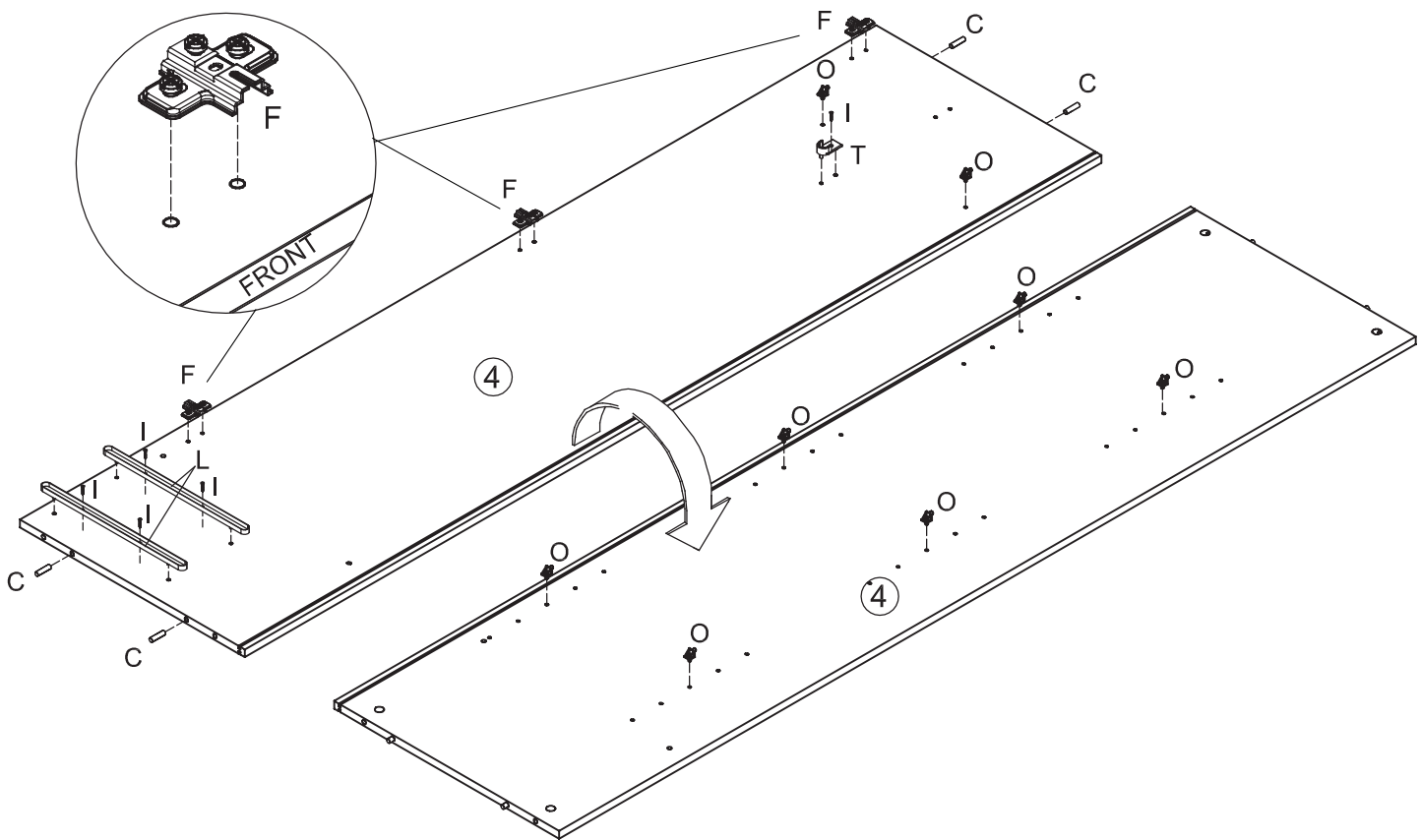
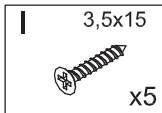
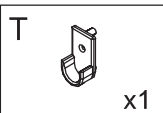
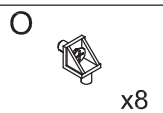
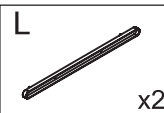
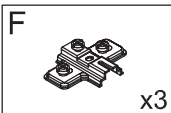
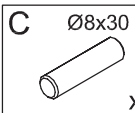


6

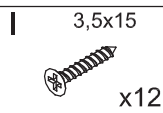
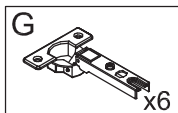
- C Ø8x30 x2
- L x2
- I 3,5x15 x4



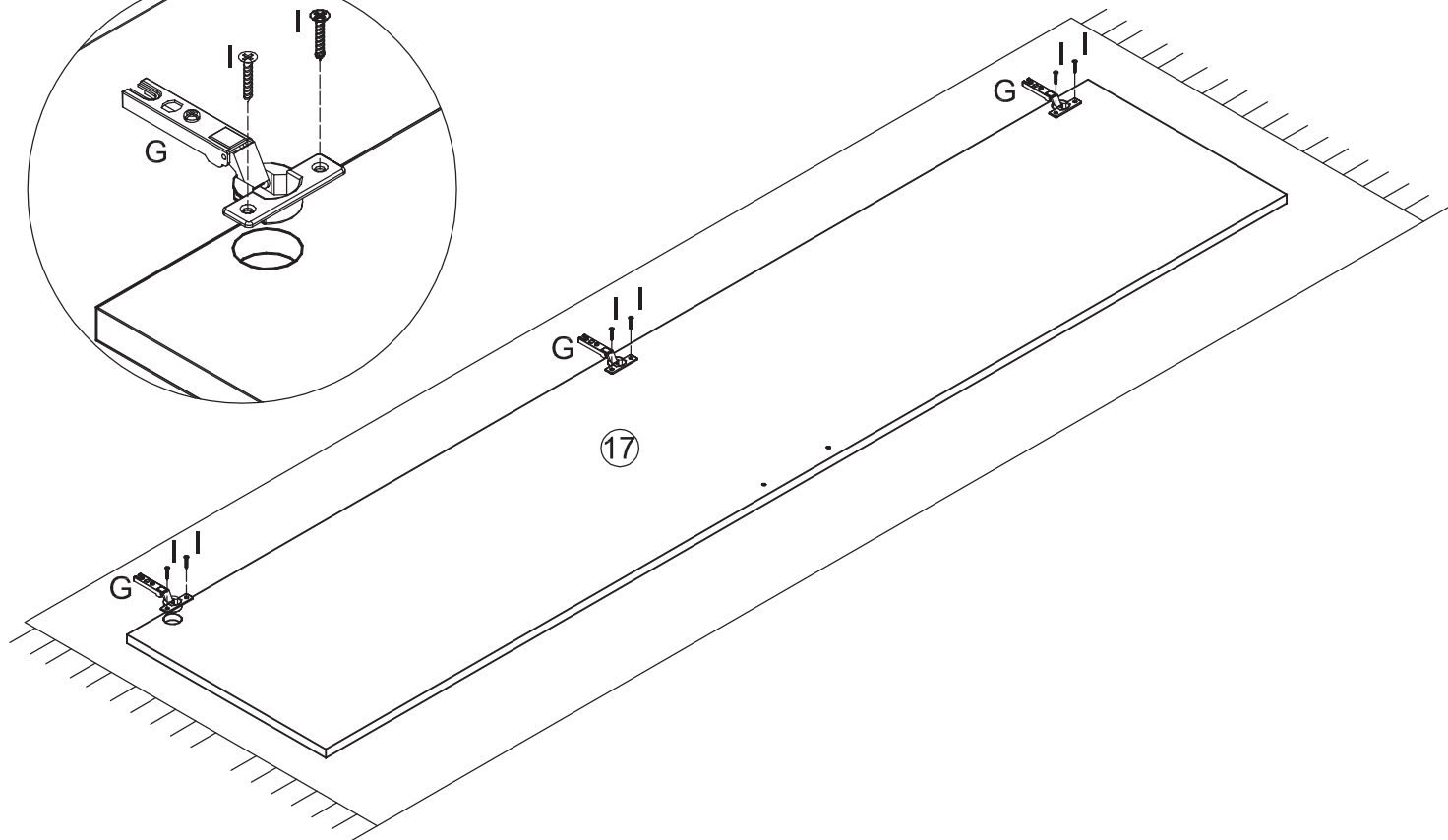
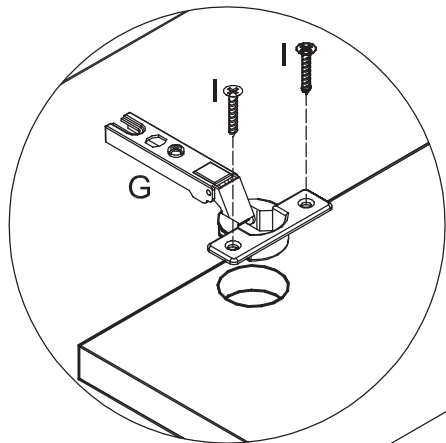
7



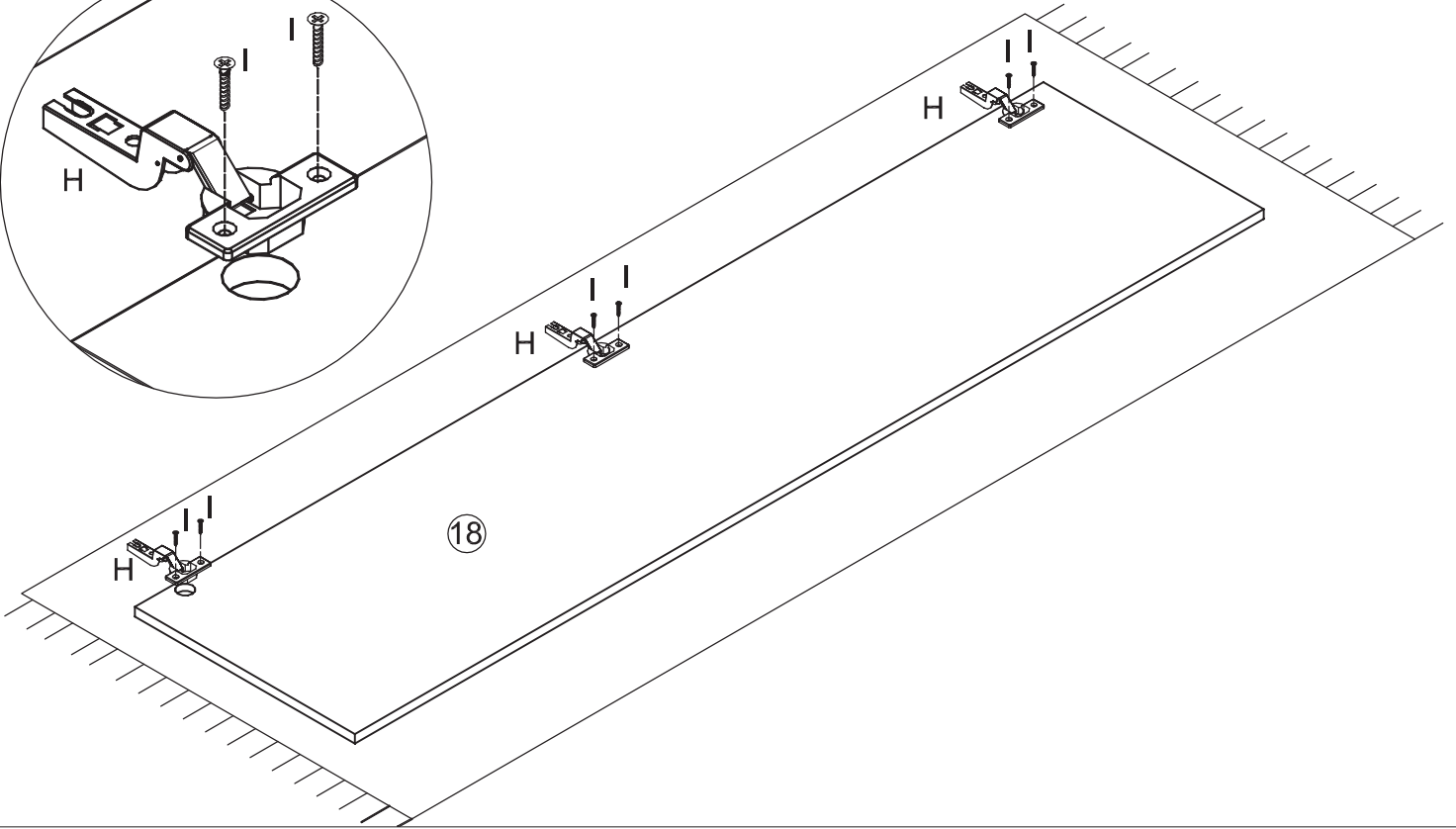
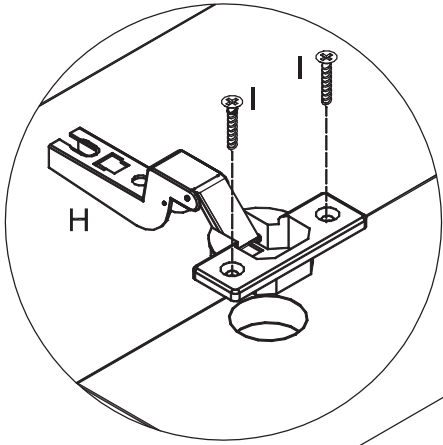
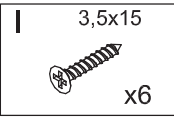
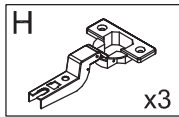
8



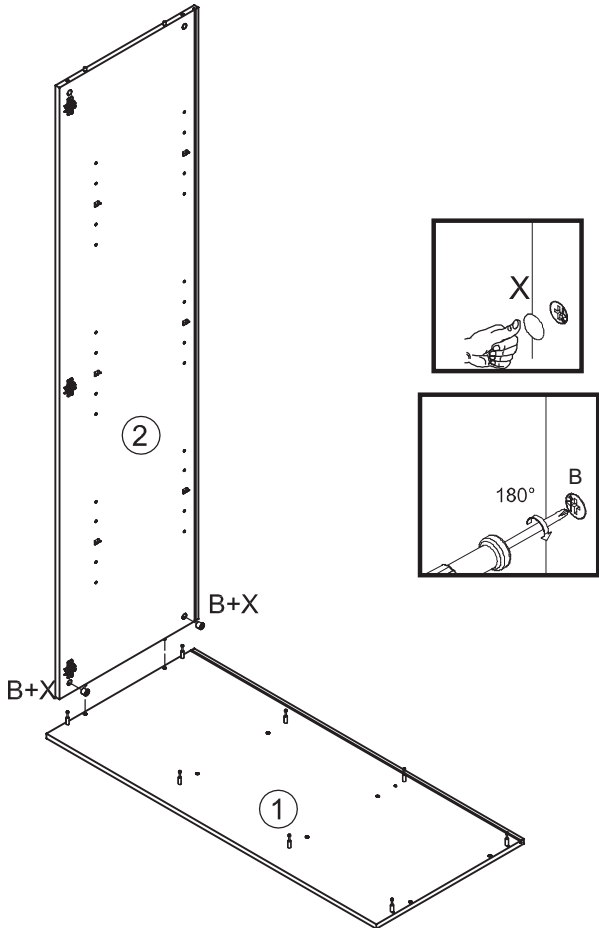
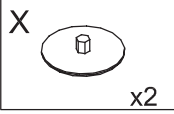
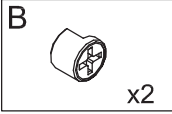
2x



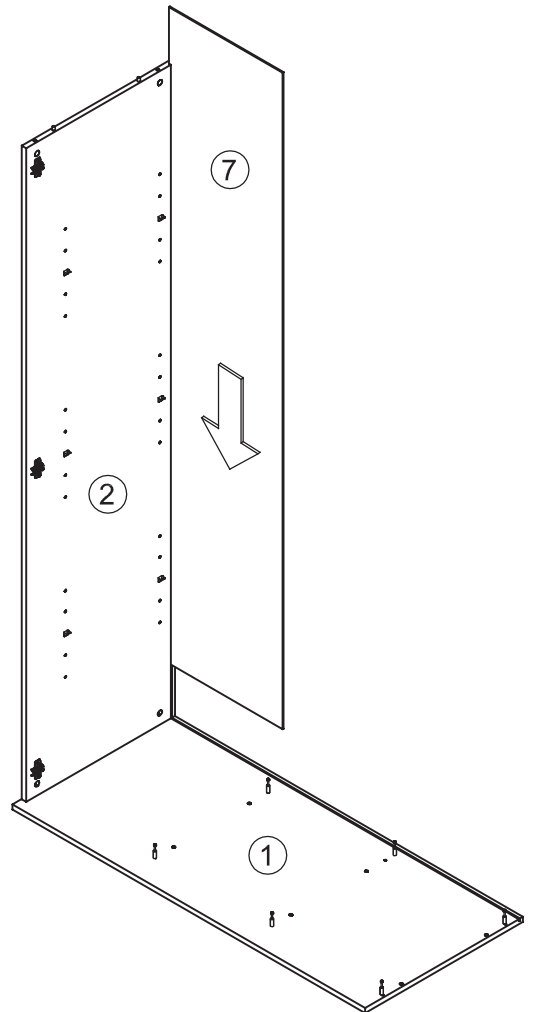
9



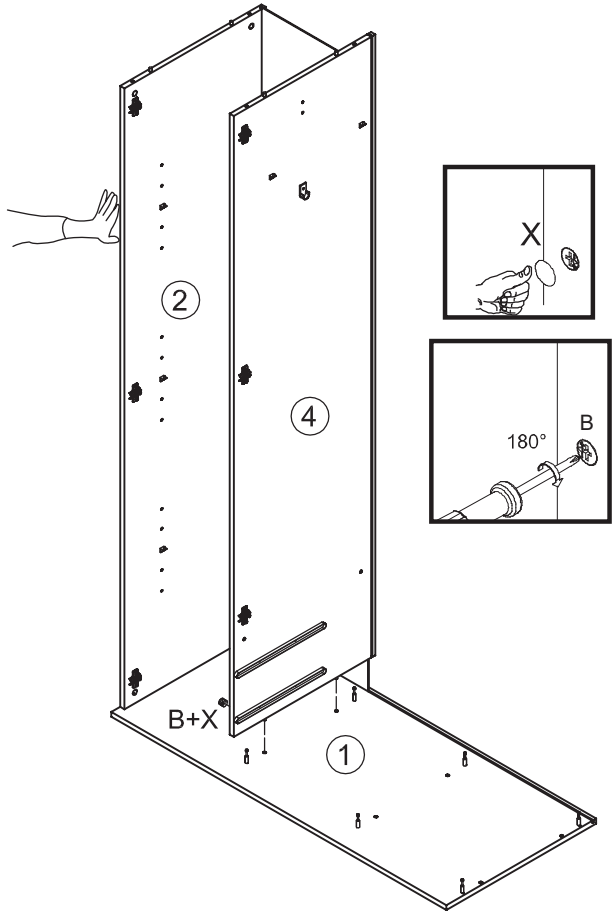
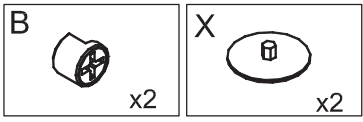
10



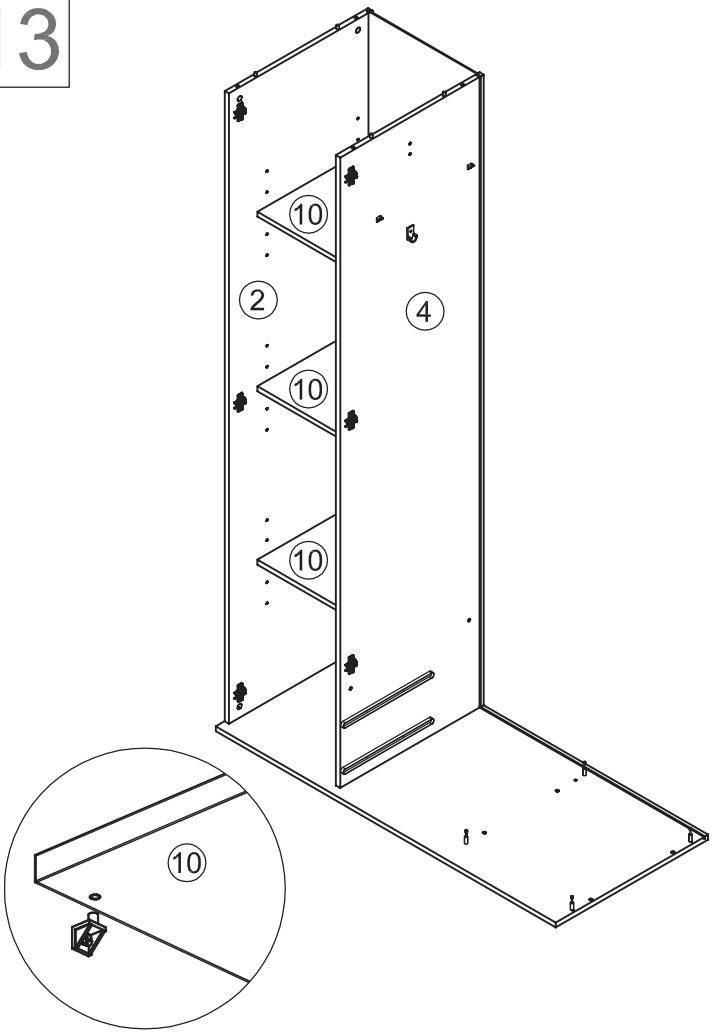
11



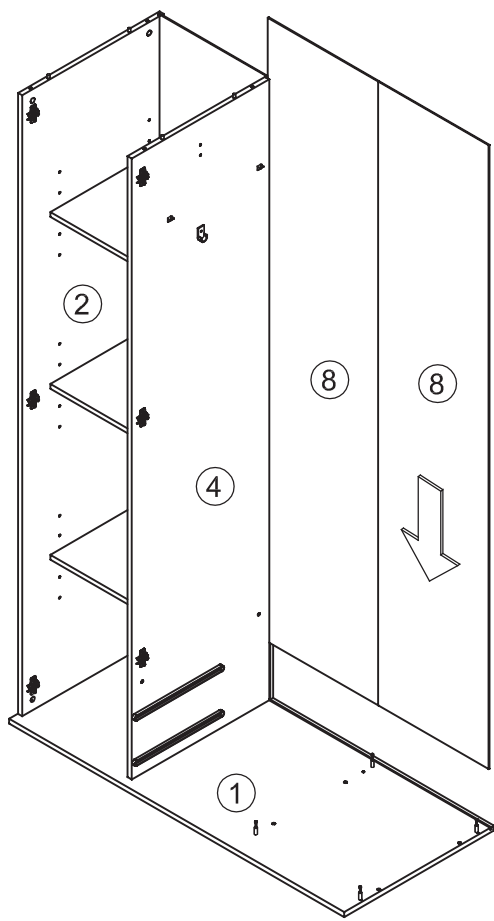
12



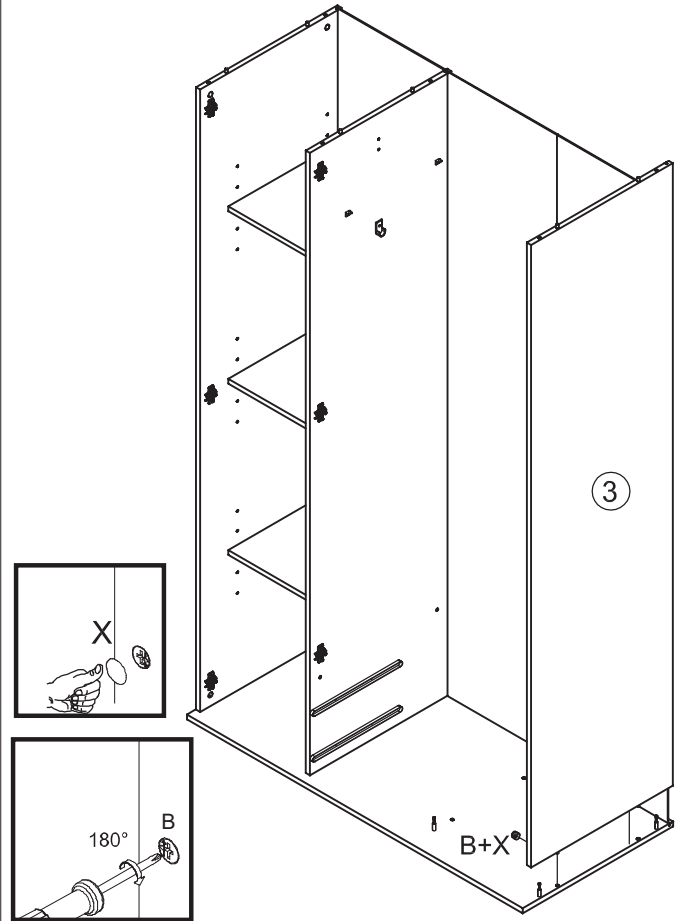
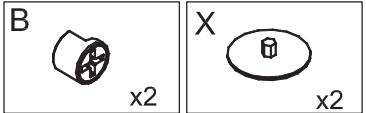
13



14

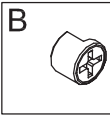


15

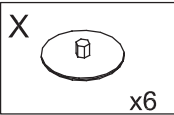




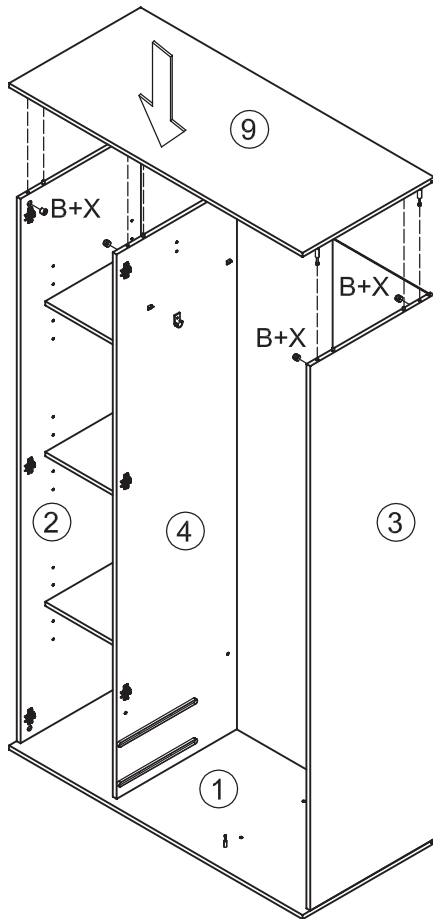
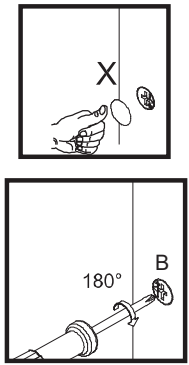
16



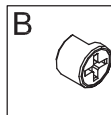
x6



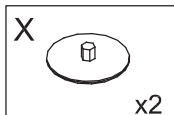
x6



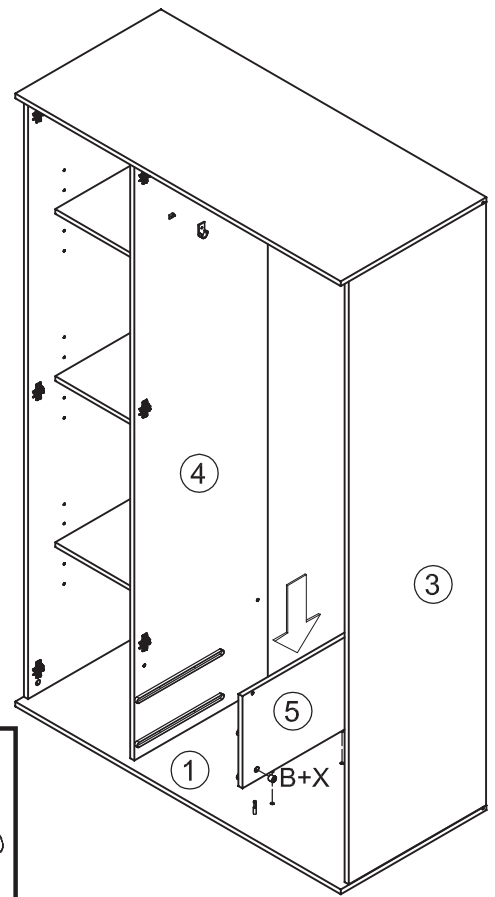
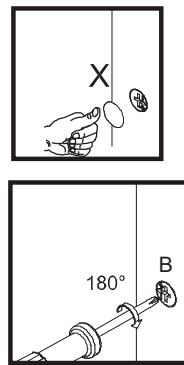
17



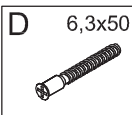
x2



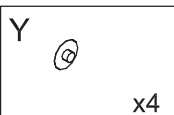
x2



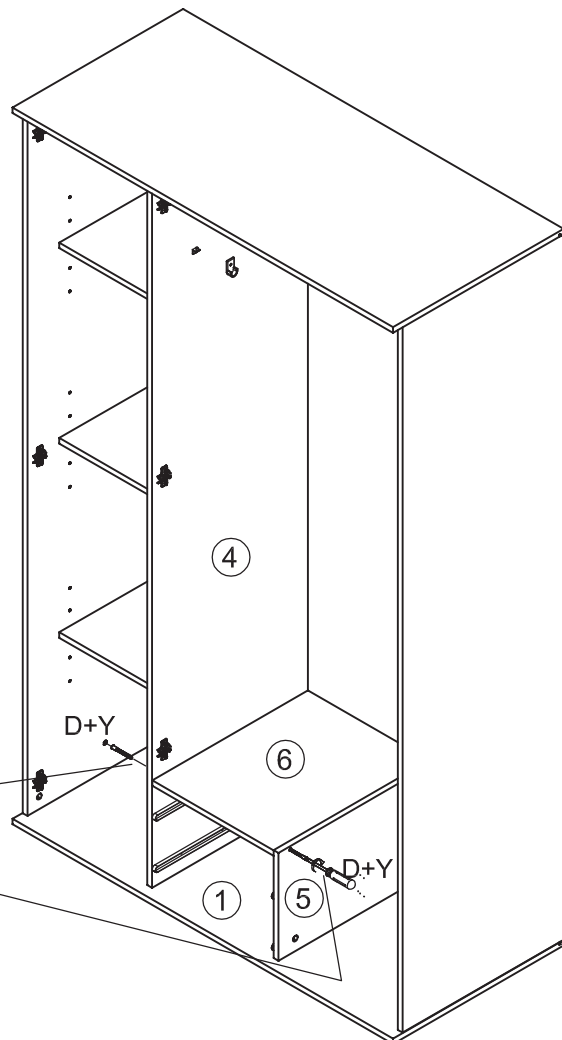
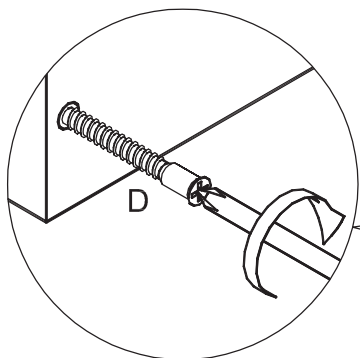
18



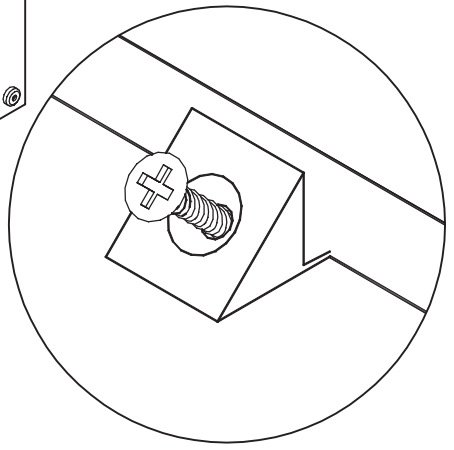
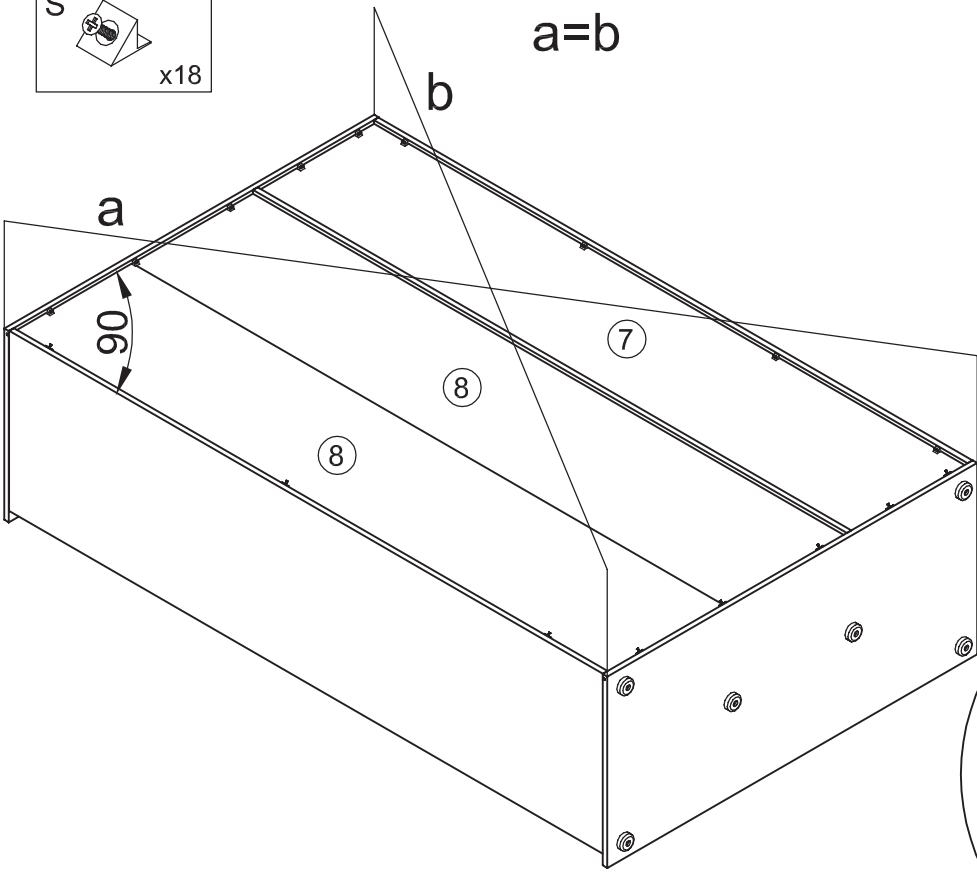
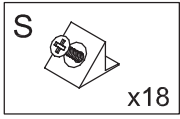
x4



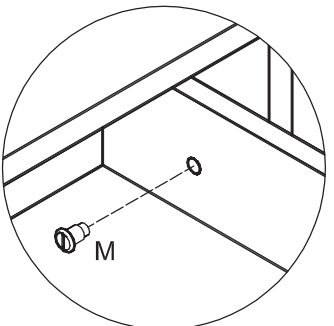
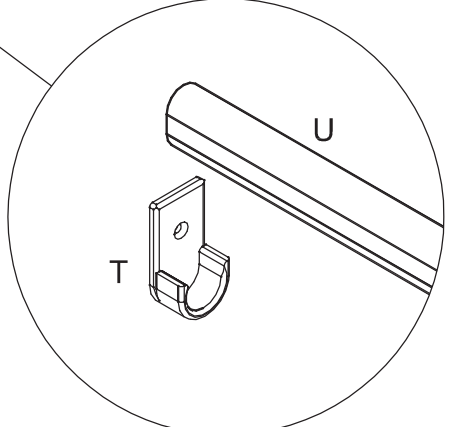
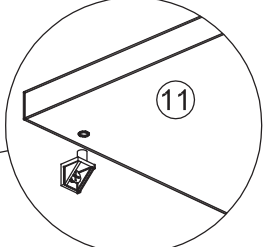
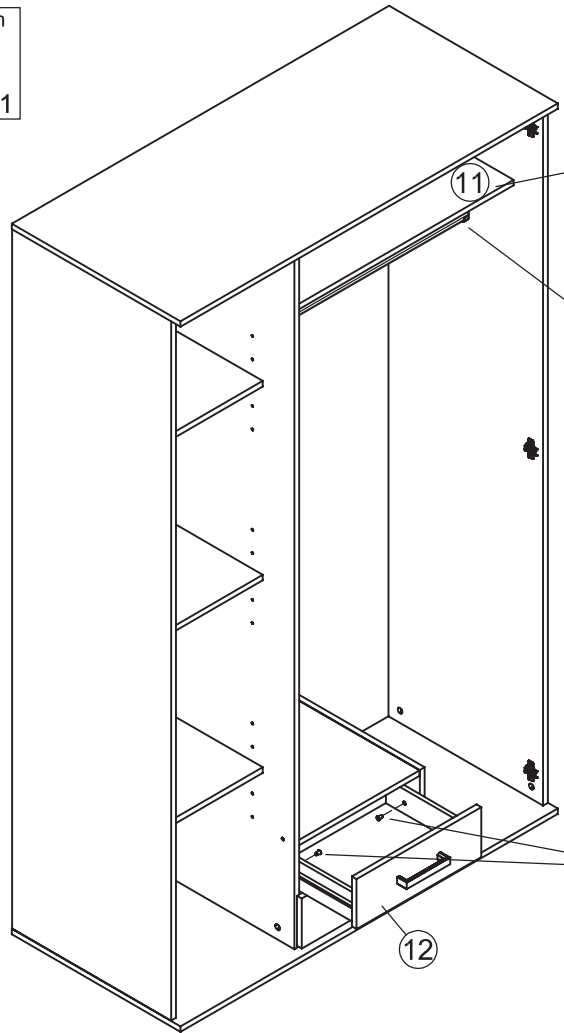
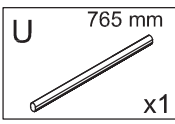
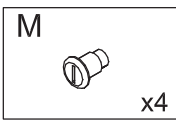
x4



19



20



21

